



中一優福扇

JOUNING UFO FAN™
Patent P. 307603



UF-240



UF-260



UF-280

優福扇系列 UFO FAN SERIES



UF-240



UF-260



UF-280

優福扇的外觀

新構想促使我們應用離心扇，加上新穎的外形設計而生產製造出優福扇，獨特的設計、輕巧、堅固穩健結合了流線形的外殼護網，因而可在相當大的壓力下運轉。

新優福扇最主要是突破傳統可置於管內、隧道、筒內應用發展，亦可以放置於任何地方，如會議室、人造天花板、櫥櫃、辦公室，且安裝或拆卸方便。

優福扇的功能

優福扇係採用高效率之透潤離心式葉輪，並以強力馬達直接轉動，經過特殊設計之導風板，使氣流順暢，運轉時非常安靜，且可以幫助小區域抽送排風、淨化空氣、溼氣，如家居、辦公室、商店或所有小密室等。

軸承採用標準型，馬達採用110V或220V 50/60Hz，熱力亦標準。

優福扇可平放或垂直放，或兩邊接風管，非常容易清潔保養和修護，管長至15M長時依然有強大的風量。

優福扇的外殼

新穎美觀的外殼，構造結合了流線型的導風板因而優福扇產生了優異的性能，外殼的資料使用高強度鐵板及耐久性烤漆處理。

UFO FAN FEATURES

The new thinking has harnessed the quiet control power of the directly driven centrifugal fan and simply designed outer housing to produce a straight "UFO" air flow. The exclusive designed, small, compact and sturdy fans which incorporate a down-stream guide vane, permitting an excellent pressure performance. The new "UFO FAN" is major breakthrough in the development of in-line, Tube or pipe fans. They can be installed anywhere inside cupboards, false ceilings, conservatories, insulated rooms, they can be mounted at the in-take or extract of the system.

UFO FAN PERFORMANCES

The fans have a high efficiency forward curved centrifugal impeller direct coupled to motor, from special designing for motor bracket, high efficiency specifications make air flowing. Each power unit is mounted on its own sturdy chassis and individually tested before mounting within its outer case. The "UFO FAN" is a unit designed to provide practice silent and efficient solutions for ventilation applications requiring small section ducting. The "UFO FAN" contaminated air and humidity at home in offices, stores and all kind of small enclosed areas. Ball bearings are standard and each motor is would for (110V/220V 50/60Hz) supply. Thermal cut-outs are included as standard. It can be mounted vertically or horizontally and connected to both side duct. It is easily dismantled for cleaning or overhaul. Its strong pressure over-comes the pressure loss of duct upto 15M long, including several bends.

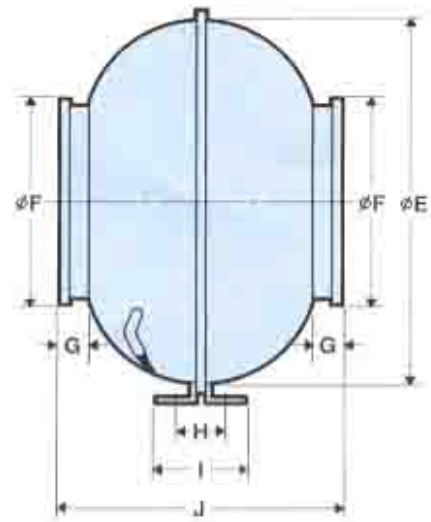
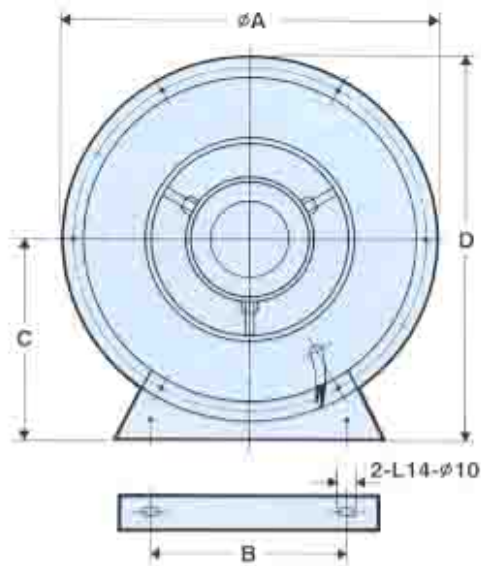
UFO FAN HOUSING

The housing is aesthetically pleasing in texture and appearance and incorporates moulded-in guide vanes to make sure the fan operates at optimum efficiency. The outer housing is available in two materials, and mild steel.

本公司擁有尺寸、性能變更設計權，如有變動時，恕不另通知。

Our co had power for modification design of dimension and specification, without notice due to improvements.





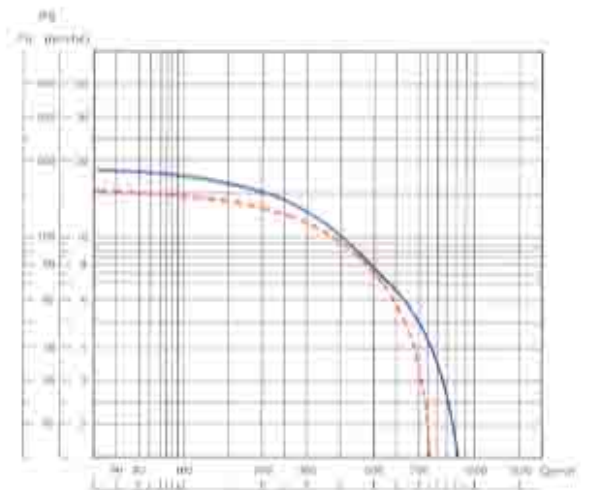
特性表 SPECIFICATION (50/60Hz)

MODEL 型號	馬達型式 TYPE OF MOTOR	電力 W POWER	安培 A AMPERE	轉速 RPM REVOLUTION	風量 m ³ /min VELOCITY	全閉風壓 mm W.G. PRESSURE	噪音 dB NOISE	包裝 PACKING
UF-240	110/220V 2P	170/180	0.8/0.85	2800/2900	12/14	38/40	51/53	1PCS/CTN/0.8CUFT/G.W./4.5KG
UF-260	110/220V 4P	72/80	0.5/0.4	1400/1630	12/15	16/18	50/52	1PCS/CTN/0.9CUFT/G.W./4.5KG
UF-280	110/220V 4P	150/180	0.85/0.9	1390/1590	22/25	18/20	51/53	1PCS/CTN/1.4CUFT/G.W./4.5KG

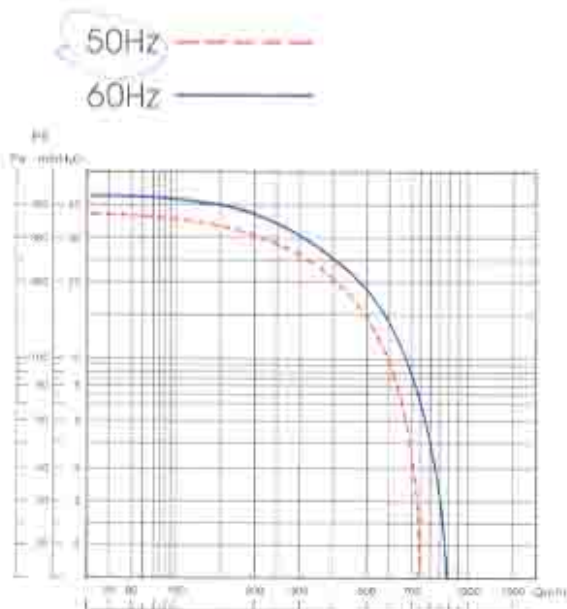
尺寸 DIMENSION

MODEL 型號	A	B	C	D	E	F	G	H	I	J
UF-240	270	140	147	282	247	100	26	35	66	272
UF-260	305	160	161.5	314	277	152	26	35	63	216
UF-280	352	180	186	362	322	202	26	35	63	240

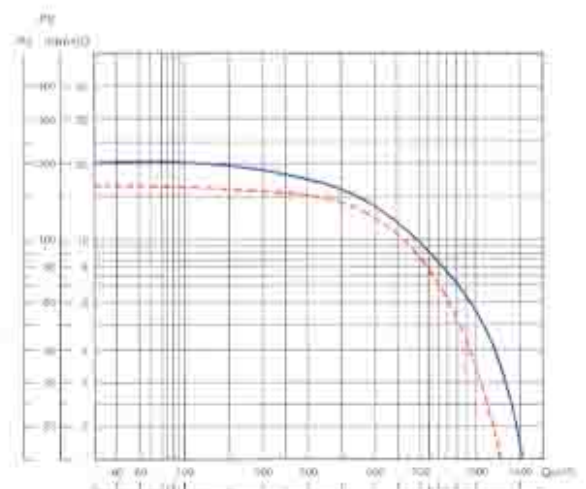
1. 可平行或垂直放置
 2. 安置於會議室或辦公室裡
 3. 安置於浴室、洗衣間等
1. They can be mounted vertically or horizontally
2. Ventilation of small enclosed offices.
3. Ventilation of bathrooms, laundry rooms etc.



UF-260



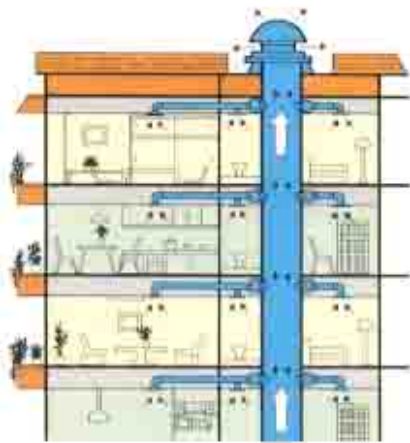
UF-240



UF-280

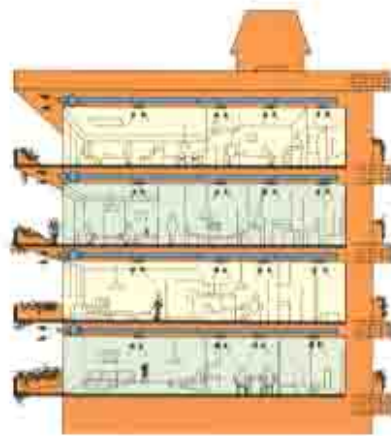
大樓內部採集中排氣管之安裝圖例

The central exhausting duct of UFO-FAN is equip in high building. please refer following drawing.



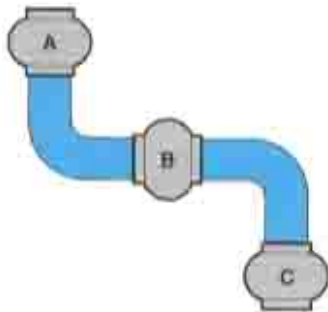
公寓、住宅之各別排氣安裝圖例

The exhausting duct is equip in apartment house. please refer following drawing.



UFO FAN 優福扇可接裝於風管之前，後端或裝於風管之中段加壓

The UFO-FAN can both equip in front duct or in end of duct, or arrange in the duct of compress wind.

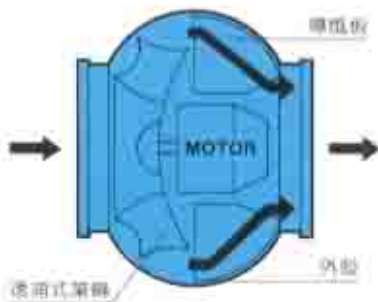


室內抽排氣圖例

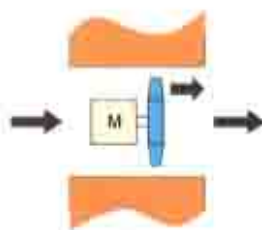
The exhausting duct is equip in house, please refer following drawing.



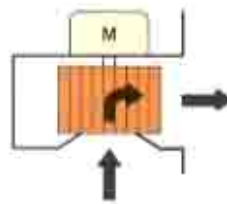
優福扇的空氣流動狀態
UFO FAN AIR FLOW



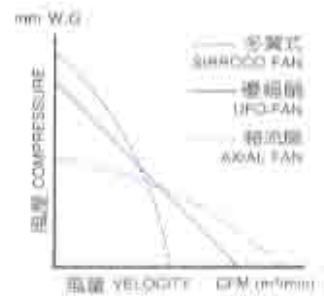
軸流扇
AXIAL FAN



多翼式送風扇
SIROCCO FAN



三種風機之風量、風壓
比較表



中一五金股份有限公司
JOUNING BLOWER CO., LTD.

TEL: (02) 561-9645 • 562-1526 • 268-2527
FAX: 886-2-5223679 • 886-2-2687272
TAIPEI, TAIWAN

AGENT:



UFO FAN

新幽浮扇

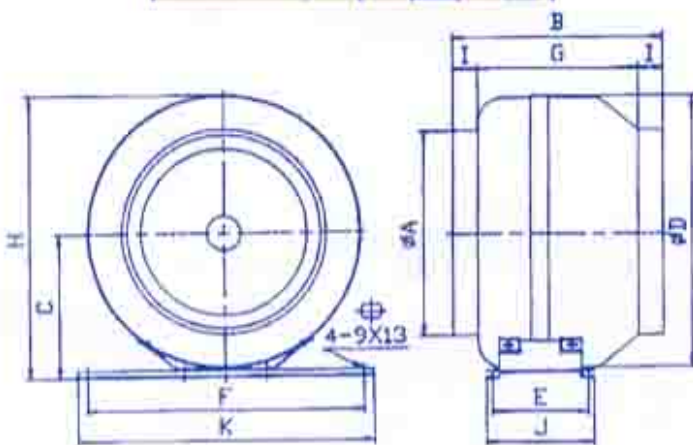
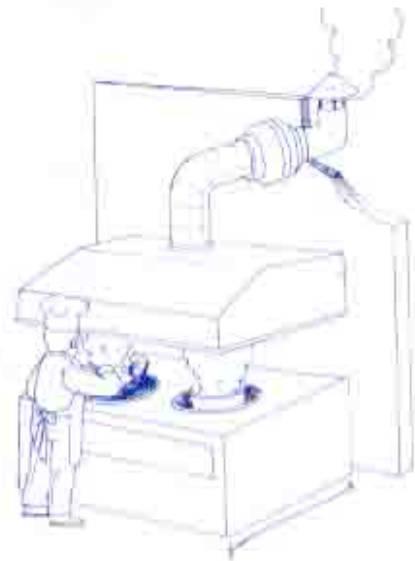
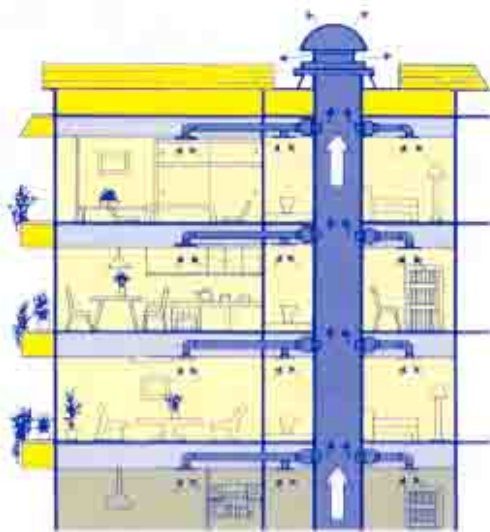


強勁輕便
POWERFUL
LIGHTWEIGHT

接裝容易
EASY TO INSTALL

耐油煙、低噪音
DRAFTING POWERFUL
LOW NOISE

新幽浮扇 NEW UFO FAN UF-310、UF-312



DIAMENSION(mm) 尺寸

SIZE	#A	B	C	#D	E	F	G	H	I	J	K
UF-310/310H	249	254	178	333	116	336	194	345	30	130	360
UF-312/312H	302	254	192	353	116	336	194	368	30	130	360

SPECIFICATION(MOTOR:110,220V) 性能規格

型號MODEL	馬力W.	安培A.	極數POLE	轉數RPM	風量M ³ /min	靜壓S.P.	噪音dB(A)
UF-310	160/180	1/1	4P	1380/1580	23/26	19/21	52/53
UF-310H	400/470	3.9/4.7	2P	2100	35	26	69
UF-312	170/190	1.2/1.2	4P	1360/1570	25/28	18/20	53/54
UF-312H	410-485	4/5	2P	2100	37	24	68

適用：隔間換氣，地下室換氣，倉庫抽送風及溼氣之用。

可平放或垂直放，可接裝於風管之前、後端或裝於風管之中段加壓。

USAGES: VENTILATION FOR ROOM, BASEMENT AND WAREHOUSE.

THE UFO-FAN CAN BE MOUNTED VERTICALLY OR HORIZONTALLY,
AND ALSO CAN BOTH EQUIP IN FRONT DUCT OR IN END OF DUCT,
OR ARRANGE IN THE DUCT OF COMPRESS WIND.



中一五金股份有限公司
JOUNING BLOWER CO., LTD.

TEL: (02)556-6151(代表號) • 268-2527
FAX: 886-2-5566155 • 886-2687272
TAIPEI, TAIWAN

經銷商