

创升泵浦 服务世界500强
TRANSCEND PUMPS & FILTERS SERVES THE WORLD'S TOP 500

东莞市创升机械设备有限公司
TRANSCEND MACHINERY EQUIPMENT CO.,LTD.

地址: 广东省东莞市大岭山镇莲峰新路8号正强达科技园
Add: Zhengqiangda Technology Park NO.8 Lianfeng road,
DalingshanTown, DongguanCity, GuangdongProvince, China
国内业务(Domestic Phone): 139 2928 0905 / 吴先生(Mr Wu)
国际业务(International Phone): 139 2929 5590 / 成小姐(Ms Cheng)
电话(Tel): 0769-8563 4622 / 8563 4633 / 8525 5905
传真(Fax): 0769-8563 4518
邮箱(E-mail): sale@cshgb.com
企业QQ: 2851011373
网址(Web): www.pump01.com

苏州公司 (Suzhou company)

苏州全赛环保科技有限公司
SUZHOU QUANSAI ENVIRONMENTAL TECHNOLOGY CO., LTD.

地址: 江苏省苏州市吴中区角直镇淞石路83号
Add: No.83, Songshi Road, Luzhi Town, Wuzhong District,
Suzhou City, Jiangsu Province, China
电话(Tel): 0512-6619 5398 139 6213 9229 / 刘先生(Mr Liu)
真传(Fax): 0512-6619 3638



微信扫一扫, 内容更多精彩!
Scan WeChat, the content is more exciting!

Transcend
PUMPS&FILTERS

创升泵浦 · 德国品质

Transcend Pump · German Quality

2020
版

Transcend®
PUMPS&FILTERS



东莞市创升机械设备有限公司
TRANSCEND MACHINERY EQUIPMENT CO.,LTD.

创升泵浦 · 德国品质
Transcend Pump · German Quality



选择高品质耐酸碱泵浦和过滤器

Choose high-quality acid and alkali resistant pumps and filters

从这里开始

START HERE

创升泵浦 · 德国品质

Transcend Pump · German Quality



公司使命

Company mission

让化学流体输送更安全、更稳定、更环保!

Make chemical fluid transportation safer, more stable and more environmentally friendly!



公司愿景

Company vision

成为化学流体输送领域的国际一流企业!

Be a world-class enterprise in the field of chemical fluid transportation!



公司价值观

Company values

诚信、创新、激情、敬业、感恩、共赢!

Integrity, innovation, passion, dedication, gratitude, and win-win!



公司经营理念

Company business philosophy

遵道、尚德、博爱!

Zundao, Suntech, Fraternity!



公司情怀

Company emotion

创造民族品牌，升级民族工业!

Create national brands and upgrade national industries!



About us

关于我们

创升自2003年成立以来，一直专心致力于各种化工立式泵浦、耐酸碱磁力泵浦、卧式泵浦、过滤机械的研发与制造。公司拥有一支技术专业和行业经验丰富的研发队伍。专业的队伍为客户提供优良解决方案及品质卓越的产品，提供了保障。内部卓越的管理，周到的服务，为客户满意保驾护航，多年来深得客户及同行业的认同与赞赏。

公司产品广泛应用于PCB、表面处理、连续电镀、贵金属高速电镀、半导体、LED、IC电子电镀、废水废气处理等化工环保行业。

我们始终秉持“诚信、创新、激情、敬业、感恩、共赢”的核心价值观，为国内外客户提供高品质的产品，协助客户降低生产成本，提高市场竞争力。

在此，我们衷心感谢新老客户对创升产品的信赖与支持，让我们精诚合作，共同发展，创造辉煌的明天。



Since established in 2003, Transcend has been dedicated to the development and manufacture of various chemical vertical pumps, acid and alkali resistant magnetic pumps, horizontal pumps, and filtration machinery. The company has a R&D team with abundant technical expertises and industry experiences. The professional team provides customers with excellent solutions and high-quality products, which provides a guarantee. Excellent internal management and thoughtful service escort customer satisfaction, and have won recognition and appreciation from customers and the industry for many years.

Transcend products are widely used in chemical and environmental protection industries such as PCB, surface treatment, continuous electroplating, precious metal high-speed electroplating, semiconductor, LED, IC electronic electroplating, waste water and waste gas treatment.

We always uphold the core values of "integrity, innovation, passion, dedication, gratitude, and win-win" to provide high-quality products to customers at home and abroad, to help customers reduce production costs and improve market competitiveness.

Here, we sincerely thank new and old customers for your trust and support to Transcend, let us sincerely cooperate, develop together and create a brilliant tomorrow.

Qualified certificate

资质证书

来自专业机构的认可，诠释着创升多年来的智慧付出，历经多年艰辛与磨砺之后，在不断创新拓展的过程中，我们得到了广大用户的认可与社会的回报。

The certificate from the professional organization, interpreted the wisdom that Transcend paid, after years of our efforts, in the process of continuous innovation and expansion, we have been recognized by the majority of users.



我们为创造世界级质量的产品而不懈努力。

We make unremitting efforts to create world-class quality products.



实用专利证书 Utility patent certificate



外观设计专利证书 Appearance patent certificate





Production
workshop
生产车间



以客户需求为原动力，创一流产品，以零缺点作为评定质量成效的标准，制程中严格按材质工艺要求加工保证质量。

Taking customers' demands as the motive force, creates the first-class products and zero defects as the standard. Ensuring the all standards of operational procedures are strictly followed to keep the best quality.

以一流的管理，
培养一流的团队，
实现一流的品质，
创造一流的效益。

With the first-class management,
Cultivate the first-class team,
Realize the first-class quality,
Create the first-class effectiveness.



Scopes of application

应用范围

Transcend

8 advantages

创升8大优势

- | | | |
|----|---|--|
| 01 | 公司实力
Company strength | 本公司拥有18年化工泵和过滤器的研发、生产、销售的行业经验。
Transcend has 18 years of industry experiences in the development, production and sales of chemical pumps and filters. |
| 02 | 技术先进
Advanced technologies | 公司拥有一支行业技术专业，经验丰富的研发队伍。
Transcend has a professional and experienced R&D team. |
| 03 | 厂家生产
Manufacturer | 库存量大，交货速度快。
Large inventory and fast delivery. |
| 04 | 产品知名度高
High product visibilities | 为超过80%连续电子电镀行业，及高端PCB设备商和厂商，提供解决方案。知名客户多，如：富士康、先进、生益电子、京瓷、安美特等。
Provides solutions for more than 80% of the continuous electronic electroplating industry and high-quality PCB equipments and factories. Many well-known customers, such as: Foxconn, ASM, SYE, KYOCERA, ATOTECH etc. |
| 05 | 荣获外观及实用新型专利
Won the patents of appearance and utility model | 结构特殊，工艺精湛，做工精细，外观精美。
Special structure, exquisite workmanship, and pretty appearance. |
| 06 | 部件选材考究
Exquisite selections of components | 部件选材考究电机轴承均为进口品牌，噪音低，使用寿命长。
泵头材质均采用进口原料，耐腐蚀、不开裂。
Exquisite selection of components, motor bearings are imported brands, low noise, long-life service.
The pump bodies are made of imported materials, which are corrosion-resistant and does not crack. |
| 07 | 产品质量保证
Quality assurance of products | 创升承诺：正常使用下质保1年。（易耗件、人为因素损坏除外）
Transcend promises: 1 year warranty under normal use. (Except for consumable parts and human factor's damage) |
| 08 | 售后服务优质
Excellent after-sales services | 24小时内为客户提供售后解决方案，1年内质量问题免费上门服务。
Provides customers with after-sales solutions within 24 hours, and free door-to-door services for quality problems within 1 year. |



线路板行业
PCB industry



五金、塑胶电镀行业
Hardware, plastic plating industry



废气处理行业
Waste gas treatment industry



废水处理行业
Wastewater treatment industry



半导体、IC电子、光伏行业
Semiconductor, IC electronics, photovoltaic industry



连续电镀行业
Continuous Electroplating industry

Development path

发展历程

- 2003** 创立东莞市长安创升机械设备厂，制造生产销售化学药液过滤器等。
Established dongguan changan chuangsheng machinery equipment factory to manufacture, produce and sell chemical liquid filters, etc.
- 2005** 公司自主开发知识产权新产品，CS型化工立式泵系列，投入模具生产并成功拓展市场。
Transcend independently developed a new product with intellectual property rights, the CS type chemical vertical pump series, and invested in mold production and successfully expanded the market.
- 2006** 公司参展全球著名的“国际表面处理展”，推广“transcend”商标，扩大影响力。
Transcend participated the famous "International Surface Treatment Exhibition", promoted the "transcend" trademark, and expanded its influence.
- 2008** 成立苏州服务办事处，全面开拓华东市场及服务客户。
Set up a service office in Suzhou to fully develop the East China market and serve customers.
- 2012** 公司致力于高端市场，开发新型精密过滤器HFG系列。
Transcend was committed to the high-end market and develops the new HFG series of precision filters.
- 2014** 公司研发并成功投入模具，开发CX系列新款磁力泵，接轨国际技术，并大获成功。
Transcend developed and successfully developed molds, developed CX series of new magnetic pumps, in line with international technology, and achieved great success.
- 2016** 荣获多项专利证书。
Won many numbers of patent certificates.
- 2017** 荣获“高新技术企业”称号。
Won the title of "High-tech Enterprise".
- 2018** 成立苏州分公司，通过ISO9001质量管理体系认证。
Established Suzhou branch and passed ISO9001 quality management system certification.
- 2019** 通过CE认证。
Passed CE certification.
- 2020** 已在俄罗斯、北欧、巴西、东南亚等国家和地区设立了全球化的销售服务网。
A global sales and service network has been established in Russia, Northern Europe, Brazil, Southeast Asia and other countries and regions.

Product contents

产品目录

CS型 可空转化工立式泵 Vertical Pump  CS 3/4-3HP PAGE 12	CS型 可空转化工立式泵 Vertical Pump  CS 1/4-1/2HP PAGE 13	CS型 可空转化工立式泵 Vertical Pump  CS 1/15-1/6HP PAGE 14	AS型 可空转化工立式泵 Vertical Pump  AS 1/15-1/2HP PAGE 15	CSH型 可空转耐酸碱立式泵 Vertical Pump  CSH 1/2-10HP PAGE 17
TPT型 可空转化工立式泵 Vertical Pump  TPT 1-5HP PAGE 18	TP型 可空转化工立式泵 Vertical Pump  TP 1/2-2HP PAGE 19	HT型 可空转化工立式泵 Vertical Pump  HT 1-15HP PAGE 20	CSY型 耐酸碱加长立式液下泵 Vertical Pump  CSY 1-10HP PAGE 21	TMP型 无轴封磁力驱动泵 Seal-less magnetic drive pump  TMP 30RM-100RM PAGE 23
TMP型 无轴封磁力驱动泵 Seal-less magnetic drive pump  TMP 1/2HP-5HP PAGE 24	TXM型 自吸式磁力驱动泵 Self-priming magnetic drive pump  TXM 1/4HP-5HP PAGE 26	CX型 耐酸碱磁力泵 Magnetic Pump  CX 1/2-5HP PAGE 27	CX型 耐酸碱磁力泵 Magnetic Pump  CX 180W-250W PAGE 28	CSM型 耐酸碱磁力泵 Magnetic Pump  CSM 10RM-100RM PAGE 29
CSM型 耐酸碱磁力泵 Magnetic Pump  CSM 1/2-5HP PAGE 30	HD型 同轴自吸式耐酸碱卧式泵 Horizontal Centrifugal Pump  HD 1-5HP PAGE 31	HD型 同轴自吸式耐酸碱卧式泵 Horizontal Centrifugal Pump  HD 5-10HP PAGE 32	TS型 不锈钢同轴离心式泵 SUS Horizontal Centrifugal Pump  TS 1/2-10HP PAGE 33	CV型 不锈钢耐酸碱立式泵 SUS Vertical Pump  CV 1/2-10HP PAGE 34
HFG型 化学药液精密过滤器 Chemical Filter  HFG 201-318 PAGE 36	HF型 化学药液过滤器 Chemical Filter  HF 206-318 PAGE 37	HF型 化学药液过滤器 Chemical Filter  HF 101-204 PAGE 38	HFI型 槽内式化学药液过滤器 In-tank Chemical Filter  HFI 101-104 PAGE 39	HFV型 化学药液过滤器 Chemical Filter  HFV 104-218 PAGE 40
HL型 化学药液过滤器 Chemical Filter  HL 206-218 PAGE 41	HL型 化学药液过滤器 Chemical Filter  HL 101-204 PAGE 42			

CS^型 TYPE

可空转化工立式泵浦 Vertical pump



坚臻致美 强悍内在
STRONGER AND PRETTIER

Transcend[®]
PUMPS&FILTERS

CS 3/4-3HP | CS型可空转化工立式泵浦 Vertical Pump

可选配件 / Accessories

进口滤网 Suction basket
PP/PVC出口接头 PP or PVC outlet connection
铁/塑料马达风罩 Metal or plastic motor casing

驱动 / Drive

三相电机, 0.55KW到2.2KW
Three-phase motor, 0.55KW to 2.2KW



型号说明 / Type

CS - 32 E P - 750 - 3P 5 B
① ② ③ ④ ⑤ ⑥ ⑦ ⑧

① 机型编号 Type

② 口径 In-Outlet
25-1"
32-1-1/4"
40-1-1/2"

③ O环 O-ring
V-VITON
E-EPDM
N-NBR

④ 泵体材质
Pump body material
P-FRPP
K-PVDF
C-CFRPP

⑤ 马力 Power

550-3/4HP 750-1HP
1100-1.5HP 1500-2HP
2200-3HP

⑥ 相数 Phase

3P-三相 Three-phase

⑦ 频率 Frequency

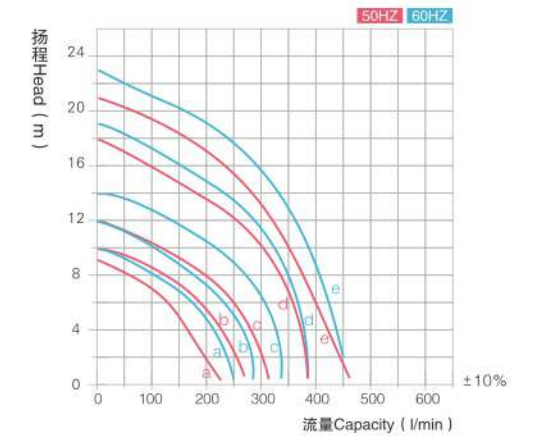
5-50HZ 6-60HZ

⑧ 底座外形 Baseboard

B-标准型 Standard
F-方型 Square
W-槽外式 Out-tank
C-侧出式 Outside
T-特殊订做 Special order

性能曲线图 / Curve

以下数据仅供参考, 请向创升泵业索要正规性能曲线。
The following data is for reference only, please ask for the regular performance curve from Transcend Pump Industry.



特点及优点 / Features and Benefits

- ◆ 可空转使用, 绝不因空转而损坏。
- ◆ 泵浦所有接液部分, 均采用耐腐蚀之FRPP、CFRPP、PVDF材质, 视输送的化学药剂而定。
- ◆ 轻巧的外形及安装板的设计最适合槽内使用, 且配管及保养均很方便。
- ◆ 轴封设计, 可防止化学气体损坏马达轴承, 而游离之化学气体经由支撑板上的气孔顺利排出。
- ◆ 闭式叶轮, 其安装与转向无关。
- ◆ 泵轴外装有保护轴套。
- ◆ 加强型轴承, 可抵抗轴向和径向应力。
- ◆ 双层防腐蚀喷涂。
- ◆ Dry-running without damage.
- ◆ Molded parts are out of FRPP, CFRPP, PVDF applicable to various chemicals.
- ◆ The lightweight form and mounting plate structure is suitable for in-tank applications, easy to mount and maintain.
- ◆ Shaft seal stops corrosive vapor to reach the motor bearing perfectly.
- ◆ Closed impeller, fastened independence of rotational direction.
- ◆ Shaft is separated from the chemicals by a plastic protective tube.
- ◆ Radial and axial forces are absorbed by reinforced motor bearings.
- ◆ Double protections of corrosion resistance of paint-coat.

型号参数 / Model parameter

(测试介质:水 比重:1.0) Test: Water

项目 Item 型号 Type	出口口径 Outlet (mm)	功率 Power		50HZ			60HZ			重量 Weight (kg)
		相数 Phase	HP	曲线 Curve (红Red)	全扬程 Max Head (m)	全流量 Max Flow (l/min)	曲线 Curve (蓝Blue)	全扬程 Max Head (m)	全流量 Max Flow (l/min)	
CS-32EP-550	32	3	3/4	a	9	230	a	10	250	16
CS-32EP-750	32	3	1	b	10	250	b	12	280	18
CS-32EP-1100	32	3	1.5	c	12	310	c	14	330	20
CS-40EP-1500	40	3	2	d	18	380	d	19	380	22
CS-40EP-2200	40	3	3	e	21	410	e	23	450	25

CS 1/4-1/2HP | CS型可空转化工立式泵浦 Vertical Pump



可选配件 / Accessories

进口滤网 Suction basket
PP/PVC出口接头 PP or PVC outlet connection
铁/塑料马达风罩 Metal or plastic motor casing

驱动 / Drive

单相/三相电机, 0.18KW到0.37KW
Single/Three-phase motor, 0.18KW to 0.37KW

型号说明 / Type

CS - 25 E P - 370 - 3P 5 B
① ② ③ ④ ⑤ ⑥ ⑦ ⑧

① 机型编号 Type

② 口径 In-Outlet
20-3/4"
25-1"
32-1-1/4"

③ O环 O-ring
V-VITON
E-EPDM
N-NBR

④ 泵体材质
Pump body material
P-FRPP
K-PVDF
C-CFRPP

⑤ 马力 Power

180-1/4HP
250-1/3HP
370-1/2HP

⑥ 相数 Phase

3P-三相 Three-phase
1P-单相 Single-phase

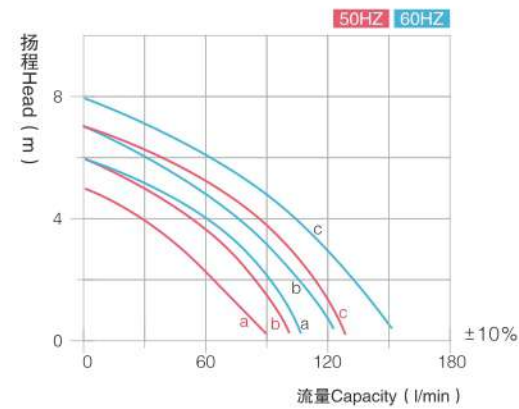
⑦ 频率 Frequency
5-50HZ
6-60HZ

⑧ 底座外形 Baseboard

B-标准型 Standard
Y-圆型 Round
W-槽外式 Out-tank
C-侧出式 Outside
T-特殊订做 Special order

性能曲线图 / Curve

以下数据仅供参考, 请向创升泵业索要正规性能曲线。
The following data is for reference only, please ask for the regular performance curve from Transcend Pump Industry.



CS 1/15-1/6HP | CS型可空转化工立式泵浦 Vertical Pump



可选配件 / Accessories

进口滤网 Suction basket
PP/PVC出口接头 PP or PVC outlet connection
铁/塑料马达风罩 Metal or plastic motor casing

驱动 / Drive

单相/三相电机, 0.05KW到0.12KW
Single/Three-phase motor, 0.05KW to 0.12KW

型号说明 / Type

CS - 15 E P - 120 - 1P 5 B
① ② ③ ④ ⑤ ⑥ ⑦ ⑧

① 机型编号 Type

② 口径 In-Outlet
15-1/2"
20-3/4"

③ O环 O-ring
V-VITON
E-EPDM
N-NBR

④ 泵体材质
Pump body material
P-FRPP
K-PVDF
C-CFRPP

⑤ 马力 Power

50-1/15HP
190-1/8HP
120-1/6HP

⑥ 相数 Phase

3P-三相 Three-phase
1P-单相 Single-phase

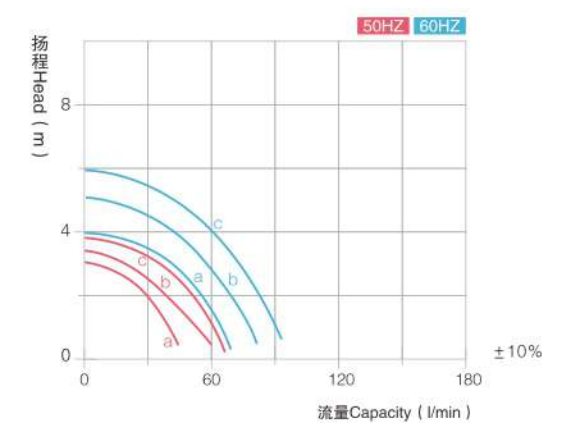
⑦ 频率 Frequency
5-50HZ
6-60HZ

⑧ 底座外形 Baseboard

B-标准型 Standard
F-方形 Square
Y-圆型 Round
W-槽外式 Out-tank
T-特殊订做 Special order

性能曲线图 / Curve

以下数据仅供参考, 请向创升泵业索要正规性能曲线。
The following data is for reference only, please ask for the regular performance curve from Transcend Pump Industry.



特点及优点 / Features and Benefits

- ◆ 可空转使用, 绝不因空转而损坏。
- ◆ 泵浦所有接液部分, 均采用耐腐蚀之FRPP、CFRPP、PVDF材质, 视输送的化学药液而定。
- ◆ 轻巧的外形及安装板的设计最适合槽内使用, 且配管及保养均很方便。
- ◆ 轴封设计, 可防止化学气体损坏马达轴承, 而游离之化学气体经由支撑板上的气孔顺利排出。
- ◆ 闭式叶轮, 其安装与转向无关。
- ◆ 泵轴外装有保护轴套。
- ◆ 加强型轴承, 可抵抗轴向和径向应力。
- ◆ 双层防腐涂层。
- ◆ Dry-running without damage.
- ◆ Molded parts are out of FRPP, CFRPP, PVDF applicable to various chemicals.
- ◆ The lightweight form and mounting plate structure is suitable for in-tank applications, easy to mount and maintain.
- ◆ Shaft seal stops corrosive vapor to reach the motor bearing perfectly.
- ◆ Closed impeller, fastened independence of rotational direction.
- ◆ Shaft is separated from the chemicals by a plastic protective tube.
- ◆ Radial and axial forces are absorbed by reinforced motor bearings.
- ◆ Double protections of corrosion resistance of paint-coat.

型号参数 / Model parameter

(测试介质:水 比重:1.0) Test: Water

项目 Item 型号 Type	出口口径 Outlet (mm)	功率 Power		50HZ		60HZ		重量 Weight (kg)		
		相数 Phase	HP	曲线 Curve (红Red)	全扬程 Max Head (m)	全流量 Max Flow (l/min)	曲线 Curve (蓝Blue)		全扬程 Max Head (m)	全流量 Max Flow (l/min)
CS-20EP-180	20	1	1/4	a	5	90	a	6	110	8
CS-20EP-180	20	3	1/4	a	5	90	a	7	110	8
CS-20EP-250	20	1	1/3	b	6	105	b	7	130	8.5
CS-20EP-250	20	3	1/3	b	6	105	b	7	130	8.5
CS-25EP-370	25	1	1/2	c	7	135	c	8	150	9.5
CS-25EP-370	25	3	1/2	c	7	145	c	8	160	9.5

特点及优点 / Features and Benefits

- ◆ 可空转使用, 绝不因空转而损坏。
- ◆ 泵浦所有接液部分, 均采用耐腐蚀之FRPP、CFRPP、PVDF材质, 视输送的化学药液而定。
- ◆ 轻巧的外形及安装板的设计最适合槽内使用, 且配管及保养均很方便。
- ◆ 轴封设计, 可防止化学气体损坏马达轴承, 而游离之化学气体经由支撑板上的气孔顺利排出。
- ◆ 闭式叶轮, 其安装与转向无关。
- ◆ 泵轴外装有保护轴套。
- ◆ 加强型轴承, 可抵抗轴向和径向应力。
- ◆ 双层防腐涂层。
- ◆ Dry-running without damage.
- ◆ Molded parts are out of FRPP, CFRPP, PVDF applicable to various chemicals.
- ◆ The lightweight form and mounting plate structure is suitable for in-tank applications, easy to mount and maintain.
- ◆ Shaft seal stops corrosive vapor to reach the motor bearing perfectly.
- ◆ Closed impeller, fastened independence of rotational direction.
- ◆ Shaft is separated from the chemicals by a plastic protective tube.
- ◆ Radial and axial forces are absorbed by reinforced motor bearings.
- ◆ Double protections of corrosion resistance of paint-coat.

型号参数 / Model parameter

(测试介质:水 比重:1.0) Test: Water

项目 Item 型号 Type	出口口径 Outlet (mm)	功率 Power		50HZ		60HZ		重量 Weight (kg)		
		相数 Phase	HP	曲线 Curve (红Red)	全扬程 Max Head (m)	全流量 Max Flow (l/min)	曲线 Curve (蓝Blue)		全扬程 Max Head (m)	全流量 Max Flow (l/min)
CS-15EP-50	15	1	1/15	a	3	50	a	4	75	4.5
CS-15EP-90	15	1	1/8	b	3.5	60	b	5	85	4.5
CS-15EP-120	15	1	1/6	c	3.8	70	c	6	100	4.8

AS 1/15-1/2HP | AS型可空转化工立式泵浦 Vertical Pump



可选配件 / Accessories

进口滤网 Suction basket
PP/PVC出口接头 PP or PVC outlet connection
铁/塑料马达风罩 Metal or plastic motor casing

驱动 / Drive

单相/三相电机, 0.05KW到0.37KW
Single/Three-phase motor, 0.05KW to 0.37KW

型号说明 / Type

AS - 25 E P - 250 - 3P 5 F

① ② ③ ④ ⑤ ⑥ ⑦ ⑧

<p>① 机型编号 Type</p> <p>② 出口口径 In-Outlet 32-1.2" 25-1" 20-3/4" 15-1/2"</p> <p>③ 橡胶材质 Rubber material V-VITON E-EPDM</p> <p>④ 泵体材质 Pump body material P-PPH K-PVDF C-CFRPP</p>	<p>⑤ 马力 Power 370-1/2HP 250-1/3HP 180-1/4HP 120-1/6HP 90-1/8HP 50-1/15HP</p> <p>⑥ 相数 Phase 3P-三相 Three-phase 1P-单相 Single-phase</p> <p>⑦ 频率 Frequency 5-50HZ 6-60HZ</p> <p>⑧ 底座外形 Baseboard F-方形 Square Y-圆形 Round W-槽外式 Out-tank T-特殊定做 Special order</p>
---	--

性能曲线图 / Curve

以下数据仅供参考, 请向创升泵业索要正规性能曲线。
The following data is for reference only, please ask for the regular performance curve from Transcend Pump Industry.

扬程 Head (m) vs 流量 Capacity (l/min)

特点及优点 / Features and Benefits

- ◆ 可空转使用, 绝不因空转而损坏。
- ◆ 泵浦所有接液部分, 均采用耐腐蚀之PPH, CFRPP, PVDF材质, 视输送的化学药液而定。
- ◆ 轻巧的外型及安装板的设计最适合槽内使用, 且配管及保养均很方便。
- ◆ 特殊多层轴封设计, 可防止化学气体损坏马达轴承, 而游离之化学气体经由支撑板上的气孔顺利排出。
- ◆ 闭式叶轮, 其安装与转向无关。
- ◆ 泵轴外装有保护轴套。
- ◆ 加强型轴承, 可抵抗轴向和径向应力。
- ◆ 双层防腐蚀喷涂。
- ◆ Dry-running without damage.
- ◆ Molded parts are out of PPH, CFRPP, PVDF applicable to various chemicals.
- ◆ The lightweight form and mounting plate structure is suitable for in-tank applications, easy to mount and maintain.
- ◆ Special double shaft seals stop corrosive vapor to reach the motor bearing perfectly.
- ◆ Closed impeller, fastened independence of rotational direction.
- ◆ Shaft is separated from the chemicals by a plastic protective tube.
- ◆ Radial and axial forces are absorbed by reinforced motor bearings.
- ◆ Double protections of corrosion resistance of paint-coat.

型号参数 / Model parameter

(测试介质:水 比重:1.0) Test: Water

项目 Item 型号 Type	进出口口径 In-Outlet (mm)	功率 Power		50HZ		60HZ		重量 Weight (kg)		
		相数 Phase	HP	曲线 Curve (红Red)	全扬程 Max Head (m)	全流量 Max Flow (l/min)	曲线 Curve (蓝Blue)		全扬程 Max Head (m)	全流量 Max Flow (l/min)
AS-20EP-50	25*20	1φ	1/15	a	3	50	a	4	70	4.5
AS-20EP-90	25*20	1φ	1/8	b	3.5	60	b	4.5	80	4.5
AS-20EP-120	25*20	1φ	1/6	c	4	70	c	5	90	5
AS-25EP-180	32*25	1φ	1/4	d	6	100	e	7	110	8.5
AS-25EP-180	32*25	3φ	1/4	d	6	100	e	7	115	8.5
AS-25EP-250	32*25	1φ	1/3	f	7	125	g	8	130	9
AS-25EP-250	32*25	3φ	1/3	f	7	125	g	8	135	9
AS-25EP-370	32*25	1φ	1/2	h	9	155	i	10	160	10
AS-25EP-370	32*25	3φ	1/2	h	9	160	i	10	170	10

CSH 型 TYPE

可空转耐酸碱立式泵浦 Vertical pump

进口高端原料铸造 · 耐酸碱
不开裂 · 噪音低 · 高扬程

Imported high-end raw materials for casting · acid and alkali resistance
No cracking · low noise · high head



PCB高压蚀刻水洗首选

THE FIRST CHOICE FOR WATER WASHING OF PCB HIGH PRESSURE ETCHING

CSH 1/2-10HP | CSH型可空转耐酸碱立式泵浦 Vertical Pump



可选配件 / Accessories

进口滤网 Suction basket
PP/PVC出口接头 PP or PVC outlet connection
铁/塑料马达风罩 Metal or plastic motor casing

驱动 / Drive

三相电机, 0.37KW到7.5KW
Three-phase motor, 0.37KW to 7.5KW

型号说明 / Type

CSH - 40 V P - 3 - 5 T B

① ② ③ ④ ⑤ ⑥ ⑦ ⑧

<p>① 机型号 Type</p> <p>② 口径 In-Outlet 25-1" 32-1-1/4" 40-1-1/2" 50-2"</p> <p>③ O环 O-ring V-VITON E-EPDM N-NBR</p> <p>④ 泵体材质 Pump body material P-PPH K-PVDF</p>	<p>⑤ 马力 Power 0.5-1/2HP 6-5.5HP 2-2HP 7.5-7.5HP 3-3HP 10-10HP 5-5HP</p> <p>⑥ 频率 Frequency 5-50HZ 6-60HZ</p> <p>⑦ 轴心材质 Axis material T-钛 Titanium S-不锈钢 Stainless steel</p> <p>⑧ 底座外形 Baseboard B-标准型 Standard Y-圆形 Round T-特殊定做 Special order</p>
---	---

性能曲线图 / Curve

以下数据仅供参考, 请向创升泵业索正规性能曲线。
The following data is for reference only, please ask for the regular performance curve from Transcend Pump Industry.

特点及优点 / Features and Benefits

- ◆ 可空转使用, 绝不因空转而损坏。
- ◆ 配备2级能效电机, 更节能更省钱。
- ◆ 泵浦所有接液部分, 均采用耐腐蚀之PPH、PVDF材质, 视输送的化学药液而定。
- ◆ 轻巧的外型及安装板的设计最适合槽内使用, 且配管及保养均很方便。
- ◆ 特殊的双层干式轴封设计, 可防止化学气体损坏马达轴承, 而游离之化学气体经由支撑板上的气孔顺利排出。
- ◆ 闭式叶轮, 其安装与转向无关。
- ◆ 高扬程的设计, 适合PCB、喷洗设备。
- ◆ 泵轴外装有保护轴套。
- ◆ 加强型轴承, 可抵抗轴向和径向应力。
- ◆ 双层防腐涂层。
- ◆ Dry-running without damage.
- ◆ With 2 grades efficient motor, More energy saves more money.
- ◆ Molded parts are out of PPH, PVDF applicable to various chemicals.
- ◆ The lightweight form and mounting plate structure is suitable for in-tank applications. Easy to mount and maintain.
- ◆ Special double shaft seals stop corrosive vapor to reach the motor bearing perfectly.
- ◆ Closed impeller, fastened independence of rotational direction.
- ◆ The design of high head, suitable for PCB, cleaning equipment.
- ◆ Shaft is separated from the chemicals by a plastic protective tube.
- ◆ Radial and axial forces are absorbed by reinforced motor bearings.
- ◆ Double protections of corrosion resistance of paint-coat.

型号参数 / Model parameter

(测试介质:水 比重:1.0) Test: Water

项目 Item 型号 Type	比重 Gravity	出口口径 Outlet (Inch)	功率 Power		50HZ			重量 Weight (kg)
			相数 Phase	HP	曲线 Curve	全扬程 Max Head (m)	全流量 Max Flow (l/min)	
CSH-25VP-05	1.1	1"	3	1/2	a	15	170	24
CSH-25VP-1	1.1	1"	3	1	b	20	200	28
CSH-32VP-2	1.1	1-1/4"	3	2	c	24	350	30
CSH-40VP-3	1.1	1-1/2"	3	3	d	25	460	40
CSH-40VP-5	1.1	1-1/2"	3	5	e	35	600	30
CSH-40VP-6	1.1	1-1/2"	3	5.5	f	36	650	40
CSH-50VP-7.5	1.1	2"	3	7.5	g	38	710	30
CSH-50VP-10	1.1	2"	3	10	h	42	750	40

TPT 1-5HP | TPT型可空转化工立式泵浦 Vertical Pump



可选配件 / Accessories

进口滤网 Suction basket
PP/PVC出口接头 PP or PVC outlet connection

驱动 / Drive

三相电机, 0.75KW到3.75KW
Three-phase motor, 0.75KW to 3.75KW

型号说明 / Type

TPT - 40 VK - 1 - 5 V P

① ② ③ ④ ⑤ ⑥ ⑦

<p>① 机型号 Type</p> <p>② 口径 In-Outlet 40-1-1/2" 50-2"</p> <p>③ 比重 Gravity VK-1.1 VP-1.4</p> <p>④ 马力 Power 1-1HP 2-2HP 3-3HP 5-5HP</p>	<p>⑤ 频率 Frequency 5-50HZ 6-60HZ</p> <p>⑥ O环 O-ring V-VITON E-EPDM N-NBR</p> <p>⑦ 泵体材质 Pump body material P-FRPP K-PVDF</p>
---	--

性能曲线图 / Curve

以下数据仅供参考, 请向创升泵业索正规性能曲线。
The following data is for reference only, please ask for the regular performance curve from Transcend Pump Industry.

特点及优点 / Features and Benefits

- ◆ 可空转使用, 绝不因空转而损坏。
- ◆ 泵浦所有接液部分, 均采用耐腐蚀之FRPP、PVDF材质, 视输送的化学药液而定。
- ◆ 轻巧的外型及安装板的设计最适合槽内使用, 且配管及保养均很方便。
- ◆ 轴封设计, 可防止化学气体损坏马达轴承, 而游离之化学气体经由支撑板上的气孔顺利排出。
- ◆ 闭式叶轮, 其安装与转向无关。
- ◆ 泵轴外装有保护轴套。
- ◆ 加强型轴承, 可抵抗轴向和径向应力。
- ◆ 双层防腐涂层。
- ◆ Dry-running without damage.
- ◆ Molded parts are out of FRPP, PVDF applicable to various chemicals.
- ◆ The lightweight form and mounting plate structure is suitable for in-tank applications, easy to mount and maintain.
- ◆ Shaft seal stops corrosive vapor to reach the motor bearing perfectly.
- ◆ Closed impeller, fastened independence of rotational direction.
- ◆ Shaft is separated from the chemicals by a plastic protective tube.
- ◆ Radial and axial forces are absorbed by reinforced motor bearings.
- ◆ Double protections of corrosion resistance of paint-coat.

型号参数 / Model parameter

(测试介质:水 比重:1.0) Test: Water

项目 Item 型号 Type	比重 Gravity	进出口口径 In-Outlet (mm)	功率 Power			50HZ		60HZ		重量 Weight (kg)		
			相数 Phase	HP	极数 Pole	曲线 Curve	全扬程 Max Head (m)	全流量 Max Flow (l/min)	曲线 Curve		全扬程 Max Head (m)	全流量 Max Flow (l/min)
40VK-1	1.1	50*40	3 φ	1	2	a	16	250	A	18	260	24
40VK-2	1.1	50*40	3 φ	2	2	b	20	270	B	24	280	28
40VK-3	1.1	50*40	3 φ	3	2	c	22	350	C	28	325	30
40VK-5	1.1	50*40	3 φ	5	2	d	24	360	D	31	400	40
50VK-3	1.1	50*50	3 φ	3	2	e	20	400	E	24	390	30
50VK-5	1.1	50*50	3 φ	5	2	f	22	420	F	26	420	40
40VP-1	1.4	50*40	3 φ	1	2	g	11	180	G	16	250	24
40VP-2	1.4	50*40	3 φ	2	2	h	13	200	H	20	290	28
40VP-3	1.4	50*40	3 φ	3	2	i	21	310	I	23	320	30
40VP-5	1.4	50*40	3 φ	5	2	j	23	370	J	23	430	40
50VP-3	1.4	50*50	3 φ	3	2	k	18	330	K	22	350	30
50VP-5	1.4	50*50	3 φ	5	2	l	20	400	L	29	480	40

TP 1/2-2HP | TP型可空转化工立式泵浦
Vertical Pump



可选配件 / Accessories

进口滤网 Suction basket
PP/PVC出口接头 PP or PVC outlet connection

驱动 / Drive

单相/三相电机, 0.37KW到1.5KW
Single/Three-phase motor, 0.37KW to 1.5KW

型号说明 / Type

TP - 40 VK - 1 - 5 V P
① ② ③ ④ ⑤ ⑥ ⑦

① 机型编号 Type

② 口径 In-Outlet
25-1" 40-1-1/2"
50-2"

③ 比重 Gravity
VK-1.1
VP-1.4

④ 马力 Power
1/2-1/2HP
1-1HP
2-2HP
3-3HP

⑤ 频率 Frequency

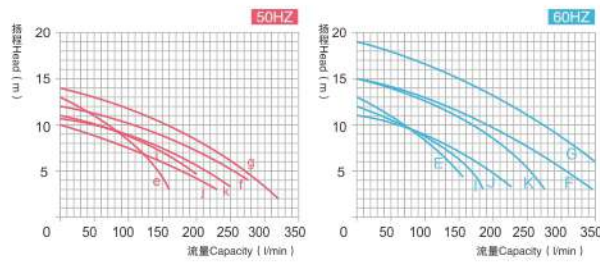
5-50HZ
6-60HZ

⑥ O环O-ring
V-VITON
E-EPDM
N-NBR

⑦ 泵体材质
Pump body material
P-FRPP
K-PVDF

性能曲线图 / Curve

以下数据仅供参考, 请向创升泵业要正规性能曲线。
The following data is for reference only, please ask for the regular performance curve from Transcend Pump Industry.



特点及优点 / Features and Benefits

- ◆ 可空转使用, 绝不因空转而损坏。
- ◆ 泵浦所有接液部分, 均采用耐腐蚀之FRPP、PVDF材质, 视输送的化学药液而定。
- ◆ 轻巧的外型及安装板的设计最适合槽内使用, 且配管及保养均很方便。
- ◆ 轴封设计, 可防止化学气体损坏马达轴承, 而游离之化学气体经由支撑板上的气孔顺利排出。
- ◆ 闭式叶轮, 其安装与转向无关。
- ◆ 泵轴外装有保护轴套。
- ◆ 加强型轴承, 可抵抗轴向和径向应力。
- ◆ 双层防腐蚀喷涂。
- ◆ Dry-running without damage.
- ◆ Molded parts are out of FRPP, PVDF applicable to various chemicals.
- ◆ The lightweight form and mounting plate structure is suitable for in-tank applications, easy to mount and maintain.
- ◆ Shaft seal stops corrosive vapor to reach the motor bearing perfectly.
- ◆ Closed impeller, fastened independence of rotational direction.
- ◆ Shaft is separated from the chemicals by a plastic protective tube.
- ◆ Radial and axial forces are absorbed by reinforced motor bearings.
- ◆ Double protections of corrosion resistance of paint-coat.

型号参数 / Model parameter

(测试介质:水 比重:1.0) Test: Water

项目 Item 型号 Type	比重 Gravity	进出口口径 In-Outlet (mm)	功率 Power			50HZ			60HZ			重量 Weight (kg)
			相数 Phase	HP	极数 Pole	曲线 Curve	全扬程 Max Head (m)	全流量 Max Flow (l/min)	曲线 Curve	全扬程 Max Head (m)	全流量 Max Flow (l/min)	
25VK-1/2	1.1	40*25	1φ/3φ	1/2	2	e	13	160	E	13	165	18
40VK-1	1.1	50*40	1φ/3φ	1	2	f	12	280	F	15	350	19
40VK-2	1.1	50*40	3φ	2	2	g	14	320	G	19	400	24
25VP-1	1.4	40*25	1φ/3φ	1	2	i	11	200	I	12	185	19
40VP-1	1.4	50*40	1φ/3φ	1	2	j	10	230	J	11	230	19
40VP-2	1.4	50*40	3φ	2	2	k	11	250	K	15	280	24

HT 1-15HP | HT型可空转化工立式泵浦
Vertical Pump



可选配件 / Accessories

PVC出口法兰PVC flange,
2级能效电机 2 grade energy efficiency motor

驱动 / Drive

三相电机, 0.75KW到11KW
Three-phase motor, 0.75KW to 11KW

型号说明 / Type

HT - 50 VK - 5 - 5 V P
① ② ③ ④ ⑤ ⑥ ⑦

① 机型编号 Type

② 口径 In-Outlet
40-1-1/2"
50-2"
65-2-1/2"
80-3"

③ 比重 Gravity
VK-1.1
VP-1.4

④ 马力 Power
3-3HP
5-5HP
7.5-7.5HP
10-10HP

⑤ 频率 Frequency

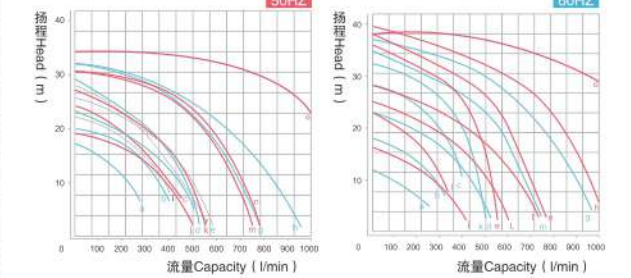
5-50HZ
6-60HZ

⑥ O环O-ring
V-VITON
E-EPDM
N-NBR

⑦ 泵体材质
Pump body material
P-FRPP
K-PVDF

性能曲线图 / Curve

以下数据仅供参考, 请向创升泵业要正规性能曲线。
The following data is for reference only, please ask for the regular performance curve from Transcend Pump Industry.



特点及优点 / Features and Benefits

- ◆ 可空转使用, 绝不因空转而损坏。
- ◆ 泵浦所有接液部分, 均采用耐腐蚀之FRPP、PVDF材质, 视输送的化学药液而定。
- ◆ 轴封设计, 可防止化学气体损坏马达轴承, 而游离之化学气体经由支撑板上的气孔顺利排出。
- ◆ 闭式叶轮, 其安装与转向无关。
- ◆ 泵轴外装有保护轴套。
- ◆ 加强型轴承, 可抵抗轴向和径向应力。
- ◆ 双层防腐蚀喷涂。
- ◆ Dry-running without damage.
- ◆ Molded parts are out of FRPP, PVDF applicable to various chemicals.
- ◆ Shaft seal stops corrosive vapor to reach the motor bearing perfectly.
- ◆ Closed impeller, fastened independence of rotational direction.
- ◆ Shaft is separated from the chemicals by a plastic protective tube.
- ◆ Radial and axial forces are absorbed by reinforced motor bearings.
- ◆ Double protections of corrosion resistance of paint-coat.

型号参数 / Model parameter

(测试介质:水 比重:1.0) Test: Water

项目 Item 型号 Type	比重 Gravity	进出口口径 In-Outlet (mm)	功率 Power		50HZ		60HZ		重量 Weight (kg)		
			相数 Phase	HP	曲线 Curve	全扬程 Max Head (m)	全流量 Max Flow (l/min)	曲线 Curve		全扬程 Max Head (m)	全流量 Max Flow (l/min)
HT-40VK-1	1.1	50*40	3φ	1	a	16.5	280	a	13	250	24
HT-40VK-2	1.1	50*40	3φ	2	b	20	400	b	23	320	28
HT-40VK-3	1.1	50*40	3φ	3	c	24	450	c	28.5	390	31
HT-50VK-3	1.1	65*50	3φ	3	d	23	530	d	23	520	32
HT-50VK-5	1.1	65*50	3φ	5	e	31	580	e	36	560	42
HT-65VK-5	1.1	80*65	3φ	5	f	29	600	f	29	740	43
HT-65VK-7.5	1.1	80*65	3φ	7.5	g	32	780	g	37	960	63
HT-65VK-10	1.1	80*65	3φ	10	h	32	970	h	39.5	1000	73
HT-40VP-3	1.4	50*40	3φ	3	i	22	400	i	23	340	31
HT-50VP-3	1.4	65*50	3φ	3	j	19	500	j	16.5	415	32
HT-50VP-5	1.4	65*50	3φ	5	k	28	560	k	32.5	500	42
HT-65VP-5	1.4	80*65	3φ	5	l	27	580	l	25	600	43
HT-65VP-7.5	1.4	80*65	3φ	7.5	m	31	750	m	35	750	63
HT-65VP-10	1.4	80*65	3φ	10	n	31	780	n	38	760	73
HT-100VK-15	1.1	100*100	3φ	15	o	35	1710	o	35	1950	105

CSY 1-10HP | CSY型耐酸碱加长立式液下泵浦
Vertical Pump



驱动 / Drive

三相电机, 0.75KW到3.7KW
Three-phase motor, 0.75KW to 3.7KW

型号说明 / Type		性能曲线图 / Curve	
<p>CSY - 40 V P - 3 - 5 T B - 700</p> <p>① ② ③ ④ ⑤ ⑥ ⑦ ⑧ ⑨</p>		<p>以下数据仅供参考, 请向创升泵业索要正规性能曲线。 The following data is for reference only, please ask for the regular performance curve from Transcend Pump Industry.</p>	
<p>① 机型编号 Type</p> <p>② 口径 In-Outlet 32-1-1/4" 50-2" 40-1-1/2" 65-2-1/2"</p> <p>③ O环 O-ring V-VITON E-EPDM N-NBR</p> <p>④ 泵体材质 Pump body material P-PPH K-PVDF</p> <p>⑤ 马力 Power 1-1HP 3-3HP 2-2HP 5-5HP</p>	<p>⑥ 频率 Frequency 5-50HZ 6-60HZ</p> <p>⑦ 轴心材质 Axis material T-钛 Titanium S-不锈钢 Stainless steel</p> <p>⑧ 底座外形 Baseboard B-标准型 Standard F-方型 Square Y-圆形 Round T-特殊定做 Special order</p> <p>⑨ 泵体长度 Length of pump body 700mm / 1000mm / 1500mm</p>		

特点及优点 / Features and Benefits

- ◆ 可根据客户槽体深度定制700-1500mm。
- ◆ 泵浦所有接液部分, 均采用耐腐蚀之PPH、PVDF材质, 视输送的化学药剂而定。
- ◆ 特殊的双层干式轴封设计, 可防止化学气体损坏马达轴承。
- ◆ 特殊设计之叶轮, 即使叶轮偶尔逆转也不会损坏泵浦。
- ◆ 适合各种耐酸碱药液循环、喷洗设备、废水废气处理、化学槽液体输送转移。
- ◆ 700-1500mm can be customized according to the depth of tank.
- ◆ All the connecting liquid pump parts, are PPH, PVDF corrosion resistant materials, depending on the delivery of chemical liquid.
- ◆ Special double shaft seals are designed to prevent motor bearings damaging from chemical gas.
- ◆ With specially designed impeller, even if the impeller is occasionally reversed, the pump will not damage.
- ◆ Suitable for all kinds of acid and alkali resistant liquid circulation, spray washing equipment, waste water treatment, chemical tank liquid transportation.

型号参数 / Model parameter

(测试介质:水 比重:1.0) Test: Water

项目 Item 型号 Type	比重 Gravity	出口口径 Outlet (Inch)	功率 Power		曲线 Curve	50HZ 全扬程 Max Head (m)		全流量 Max Flow (l/min)
			相数 Phase	HP		Max Head (m)	Max Flow (l/min)	
CSY-25VP-1	1.1	1"	3	1HP	a	20	160	
CSY-32VP-2	1.1	1-1/4"	3	2HP	b	24	300	
CSY-40VP-3	1.1	1-1/2"	3	3HP	c	25	400	
CSY-40VP-5	1.1	1-1/2"	3	5HP	d	31	550	
CSY-50VP-5	1.1	2"	3	5HP	e	25	600	
CSY-65VP-5	1.1	2-1/2"	3	5HP	f	24	650	
CSY-65VP-7.5	1.1	2-1/2"	3	7.5HP	g	38	710	
CSY-65VP-10	1.1	2-1/2"	3	10HP	h	42	750	

TMP 型
TYPE

无轴封磁力驱动泵浦
Seal-less magnetic drive pump

全新升级自循环冷却构造
Newly upgraded self-circulating cooling structure



出入口新型一体式设计, 无泄漏
NEW INTEGRATED DESIGN OF ENTRANCE AND EXIT, NO LEAKAGE

TMP 30RM-100RM | TMP型无轴封磁力驱动泵浦
Seal-less magnetic drive pump



TMP 1/2HP-5HP | TMP型无轴封磁力驱动泵浦
Seal-less magnetic drive pump



型号说明 / Type

TMP - 25 25 3 C V R U 5
① ② ③ ④ ⑤ ⑥ ⑦ ⑧ ⑨

TMP - 100 RM - C V R 3 5
① ⑩ ⑪ ⑤ ⑥ ⑦ ④ ⑨

<p>① 机型号 Type</p> <p>② 口径 In-Outlet 25-1" (塑胶脚架)</p> <p>③ 功率 Power 25-250W 18-180W</p> <p>④ 相数 Phase 1-单相 Single-phase 3-三相 Three-phase</p> <p>⑤ 泵体材质 Pump body material C-CFRPP K-PVDF E-ETFE</p> <p>⑥ 橡胶材质 Rubber material V-VITON E-EPDM N-NBR</p>	<p>⑦ 轴承材质 Bearing material A-995陶瓷 Ceramic C-碳素 Carbon S-SiC R-PTFE</p> <p>⑧ 配管形式 Piping form U-由任式 Union M-螺纹式 Thread H-插管式 Intubation</p> <p>⑨ 频率 Frequency 5-50HZ 6-60HZ</p> <p>⑩ 功率 Power 100-250W 70-180W 40-65W 30-45W (金属脚架)</p> <p>⑪ 出入方式 Access mode RU-由任式 Union RM-螺纹式 Thread R-插管式 Intubation</p>
---	---

性能曲线图 / Curve

以下数据仅供参考, 请向创升泵业索要正规性能曲线。
The following data is for reference only, please ask for the regular performance curve from Transcend Pump Industry.

特点及优点 / Features and Benefits

- ◆ 非接触构造: 通过精确设置被动磁铁与主动磁铁的相对位置, 可以有效对磁囊的位置进行磁力控制, 即使在空转时轴承的后端也不会与后止推环接触, 这种构造有效的抑制了摩擦热的产生, 确保了摩擦部的润滑。
- ◆ 小巧坚固: 轻巧的外形及泵浦内部零件规格化, 装配简单, 拆卸、检查、保养非常容易, 方便又省时。在泵前壳及后壳等应力集中部位, 全部使用加强筋补强, 进一步提高了泵的耐压性能及机械强度。
- ◆ 创新型设计, 无泄漏: 泵浦前盖全新设计, 多种配管衔接方式以搭配您的需求, 全密封, 零泄露。一体成型设计之叶轮, 保证了运转的高效率和静音, 不易损坏, 提高了泵在高温工况条件下的可靠性。
- ◆ Non-contact structure: By accurately setting the relative position of the passive magnet and the active magnet, the position of the magnetic capsule can be effectively controlled magnetically. Even when idling, the rear end of the bearing will not contact the rear thrust ring. This structure is effective. The generation of frictional heat is suppressed and the lubrication of the friction part is ensured.
- ◆ Small and strong: Lightweight appearance and standardized pump internal parts, easy assembly, easy to disassemble, inspect and maintain, convenient and time-saving. All the stress-concentrated parts such as the front shell and the rear shell of the pump are reinforced with reinforcing ribs to further improve the pressure resistance and mechanical strength of the pump.
- ◆ Innovative design, no leakage: the new design of the pump front cover, a variety of piping connection methods to match your needs, fully sealed, zero leakage. The impeller of one-piece design ensures high efficiency and quiet operation, is not easy to damage, and improves the reliability of the pump under high temperature conditions.

型号参数 / Model parameter

(测试介质:水 比重:1.0) Test: Water

项目 Item 型号 Type	进出口口径 In-Outlet (Inch)	相数 Phase	功率 Power	50HZ		60HZ		重量 Weight (kg)	操作温度(°C) Operating temperature		
				曲线 Curve (红Red)	全流量 Max Flow (l/min)	全扬程 Max Head (m)	曲线 Curve (蓝Blue)			全流量 Max Flow (l/min)	全扬程 Max Head (m)
TMP-2518	1"×1"	1φ/3φ	180	C	105	9.8	c	120	10.2	8.5	GFRPP: 0-75 CFRPP: 0-80 PVDF: 0-90 ETFE+CF: 0-100
TMP-2525	1"×1"	1φ/3φ	250	D	130	12.4	d	130	12.8	10	
TMP-30RM	3/4"×3/4"	1φ	45	A	32	3.8	a	38	5.4	4.5	
TMP-40RM	3/4"×3/4"	1φ	65	B	45	4.6	b	52	6.5	4.5	
TMP-70RM	1"×1"	1φ/3φ	180	C	105	9.8	c	120	10.2	8	
TMP-100RM	1"×1"	1φ/3φ	250	D	130	12.4	d	130	12.8	9.5	

型号说明 / Type

TMP 5 4 3 C V A C F 5
① ② ③ ④ ⑤ ⑥ ⑦ ⑧ ⑨ ⑩

<p>① 机型号 Type</p> <p>② 进口口径 Import caliber 6-2.5寸(φ65) 5-2寸(φ50) 4-1.5寸(φ40)</p> <p>③ 出口口径 Export caliber 6-2.5寸(φ65) 5-2寸(φ50) 4-1.5寸(φ40)</p> <p>④ 功率 Power 0-1/2HP 1-1HP 2-2HP 3-3HP 5-5HP</p> <p>⑤ 泵体材质 Pump body material C-CFRPP E-ETFE P-GFRPP K-PVDF</p>	<p>⑥ 橡胶材质 Rubber material E-EPDM V-VITON F-FKM</p> <p>⑦ 轴心材质 Axis material A-995陶瓷 Ceramic S-SiC</p> <p>⑧ 轴承材质 Bearing material A-995陶瓷 Ceramic C-碳素 Carbon S-SiC R-PTFE</p> <p>⑨ 配管形式 Piping form F-法兰式 M-螺纹式</p> <p>⑩ 频率 Frequency 5-50HZ 6-60HZ</p>
--	--

性能曲线图 / Curve

以下数据仅供参考, 请向创升泵业索要正规性能曲线。
The following data is for reference only, please ask for the regular performance curve from Transcend Pump Industry.

特点及优点 / Features and Benefits

- ◆ 非接触构造: 通过精确设置被动磁铁与主动磁铁的相对位置, 可以有效对磁囊的位置进行磁力控制, 即使在空转时轴承的后端也不会与后止推环接触, 这种构造有效的抑制了摩擦热的产生, 确保了摩擦部的润滑。
- ◆ 创新型设计, 无泄漏: 泵浦前盖全新设计, 配合卡扣式, 前盖出入口法兰一体成型, 杜绝泄露。还有强化密封垫片设计延长使用寿命。
- ◆ 全新升级自循环冷却构造: 在叶轮与磁囊的连接固定处设有热扩散孔基础上, 还在轴套和磁囊相接处开有散热槽孔, 此孔可使泵轴和轴承周围的液体在离心力和反水叶片作用下强制循环, 快速有效散发由摩擦产生的热量, 阻止了泵腔的机脂材料因高温产生的变形和融化。
- ◆ Non-contact structure: By accurately setting the relative position of the passive magnet and the active magnet, the position of the magnetic capsule can be effectively controlled magnetically. The displacement of the bearing will not contact the rear thrust ring even when idling. This structure is effective. The generation of frictional heat is suppressed and the lubrication of the friction part is ensured.
- ◆ Innovative design, no leakage: a new design of the pump front cover, with a snap-in type, and the front cover inlet and outlet flanges are integrally formed to prevent leakage. There is also a reinforced gasket designed to extend the working life.
- ◆ Newly upgraded self-circulating cooling structure: on the basis of the heat diffusion hole at the connection and fixing place of the impeller and the magnetic capsule, there is also a heat dissipation slot at the junction of the shaft sleeve and the magnetic capsule, which can pump the liquid around the shaft and the bearing. Forced circulation under the action of centrifugal force and reverse water blades quickly and effectively dissipates the displacement caused by friction, preventing the deformation and melting of the grease material in the pump cavity due to high temperature.

型号参数 / Model parameter

(测试介质:水 比重:1.0) Test: Water

项目 Item 型号 Type	进出口口径 In-Outlet (Inch)	相数 Phase	功率 Power (KW) (HP)	50HZ		60HZ		重量 Weight (kg)	操作温度(°C) Operating temperature		
				曲线 Curve	全流量 Max Flow (l/min)	全扬程 Max Head (m)	曲线 Curve			全流量 Max Flow (l/min)	全扬程 Max Head (m)
TMP-440	1.5"×1.5"	3φ	0.37 1/2	A	245	12.5	a	250	13.5	16	GFRPP: 0-75 CFRPP: 0-80 PVDF: 0-90 ETFE+CF: 0-100
TMP-441	1.5"×1.5"	3φ	0.75 1	B	325	19.5	b	330	20	21	
TMP-542	2"×1.5"	3φ	1.5 2	C	450	24.5	c	460	25.5	30	
TMP-552	2"×2"	3φ	1.5 2	D	510	23	d	520	24	30	
TMP-543	2"×1.5"	3φ	2.2 3	E	560	31	e	590	32	31	
TMP-553	2"×2"	3φ	2.2 3	F	660	29	f	710	31	31	
TMP-653	2.5"×2"	3φ	2.2 3	/	580	24	/	600	24	31	
TMP-663	2.5"×2.5"	3φ	2.2 3	I	1000	15.5	i	1030	18.5	31	
TMP-545	2"×2"	3φ	3.7 5	G	580	35	g	650	39	45	
TMP-555	2"×2"	3φ	3.7 5	H	733	33	h	815	43	45	
TMP-655	2.5"×2"	3φ	3.7 5	J	950	27.5	j	1050	29.5	45	
TMP-665	2.5"×2.5"	3φ	3.7 5	K	1210	22.5	k	1240	24	45	

TXM TYPE

自吸式磁力驱动泵浦 Self-priming magnetic drive pump

—— 各种异常境况输送, 操作简便 ——
Convey under various abnormal conditions, easy to operate



超强自吸, 2分钟内吸入扬程4米
SUPER SELF-PRIMING, SUCTION LIFT OF 4 METERS IN 2 MINUTES

TXM 1/4HP-5HP | TXM型自吸式磁力驱动泵浦 Self-priming magnetic drive pump



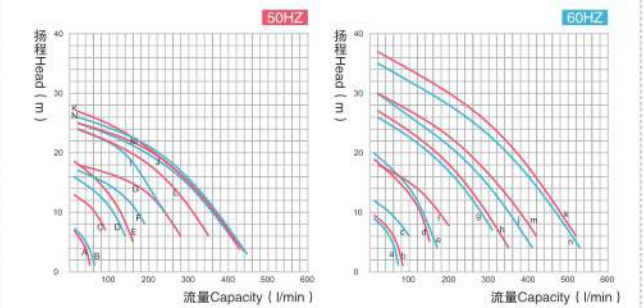
型号说明 / Type

TXM - 4 4 1 C V A C F 5
① ② ③ ④ ⑤ ⑥ ⑦ ⑧ ⑨ ⑩

- | | |
|---|---|
| ① 机型编号 Type | ⑥ 橡胶材质 Rubber material
E-EPDM V-VITON |
| ② 进口口径 Import caliber
5-2寸(Φ50) 4-1.5寸(Φ40)
2-1寸(Φ25) 1-3/4寸(Φ20) | ⑦ 轴心材质 Axis material
A-995陶瓷 Ceramic S-SiC |
| ③ 出口口径 Export caliber
5-2寸(Φ50) 4-1.5寸(Φ40)
2-1寸(Φ25) 1-3/4寸(Φ20) | ⑧ 轴承材质 Bearing material
A-995陶瓷 Ceramic
C-碳素 Carbon
S-SiC R-PTFE |
| ④ 功率 Power
18-180W 25-250W
0-1/2HP 1-1HP
2-2HP 3-3HP
5-5HP | ⑨ 进出口方式
Import and export method
F-法兰式 Flange
M-螺纹式 Thread
R-插管式 Intubation |
| ⑤ 泵体材质
Pump body material
C-CFRPP P-GFRPP
K-PVDF E-CFETFE | ⑩ 频率 Frequency
5-50HZ 6-60HZ |

性能曲线图 / Curve

以下数据仅供参考, 请向创升泵业索要正规性能曲线。
The following data is for reference only, please ask for the regular performance curve from Transcend Pump Industry.



特点及优点 / Features and Benefits

- ◆ 适用范围广: TXM系列采用模块化设计, 便于输送高比重液体; 同时配有标准规格电机, 也大大扩大了其适用范围。
- ◆ 耐酸碱抗腐蚀性强: 无轴封磁力驱动解决机械泵的跑、冒、滴、漏之弊病。
- ◆ 耐异常运行: 空转时转动部分产生摩擦热、轴心及轴套等形成高温成为泵浦破损的原因, 因此, 采用独有的自动散热构造, 在异常运行工况下可以有效扩散摩擦产生的热量。
- ◆ 快速自吸: 无逆止阀构造, 不需要外部自吸阀或阀门, 容易气液分离内部构造设计将自吸损失减至最低, 可以快速自吸。
- ◆ Wide application range: TXM series adopts modular design, which is convenient for conveying high specific gravity liquid; at the same time, it is equipped with standard specifications motor, which greatly expands its application range.
- ◆ Strong acid and alkali resistance and strong corrosion resistance: No shaft seal magnetic drive solves the disadvantages of leakage.
- ◆ Abnormal operation resistance: the frictional heat generated by the rotating part when idling, the high temperature of the shaft and sleeve, etc., is the cause of the pump damage. Therefore, the unique automatic heat dissipation structure can effectively diffuse the heat generated by friction under abnormal operating conditions.
- ◆ Fast self-priming: No check valve structure, no external self-priming valve or valve, easy gas-liquid separation, the internal structure design minimizes self-priming loss, and can complete rapid self-priming.

型号参数 / Model parameter

(测试介质:水比重:1.0) Test: Water

项目 Item 型号 Type	进出口口径 In-Outlet A(mm)	功率 power (KW)	最小流量 Minimum flow (L/min)	曲线 Curve (50/60HZ)	最高扬程·最大流量(m-L/min) Maximum lift and maximum flow		标准性能(m-L/min) Standard performance		耐压强度(MPa) Compressive strength	重量(Kg) weight
					50HZ	60HZ	50HZ	60HZ		
TXM-1118	20A*20A	0.18	5	A/a	7.0-55	9.0-75	5-30	7-40	0.22	11
TXM-1125		0.25		B/b	7.5-65	9.5-85	5-40	7-50		11
TXM-220	25A*25A	0.37	10	C/c	13.5-90	12.5-100	8.5-80	8-80	0.28	18
TXM-221		0.75		D/d	16.0-140	19.0-155	11-100	12-110		24
TXM-222		1.5		E/e	18.5-160	20.0-170	13-100	13-110		30
TXM-441		0.75		F/f	17.0-190	19.0-200	12-150	11-150		32
TXM-442	40A*40A	1.5	10	G/g	18.0-280	26.0-310	14-180	17-200	0.33	36
TXM-443		2.2		h	-	27.0-350	-	18-200		39
TXM-542	50A*40A	1.5	20	I	24.0-240	-	16-200	-	0.43	45
TXM-543		2.2		J/j	25.0-420	30.0-415	18-240	18-250		48
TXM-545		3.7		K/k	27.0-440	37.0-520	18-250	25-300		62
TXM-552	50A*50A	1.5	20	L	24.0-350	-	17-220	-	0.43	45
TXM-553		2.2		M/m	25.0-430	30.0-420	18-250	20-250		48
TXM-555		3.7		N/n	26.0-445	35.0-530	19-250	23-300		62

CX 1/2-5HP | CX型耐酸碱磁力泵浦
Magnetic Pump



CX 180W-250W | CX型耐酸碱磁力泵浦
Magnetic Pump



型号说明 / Type

CX - 40 1 L P V C 5

① ② ③ ④ ⑤ ⑥ ⑦ ⑧

<p>① 机型号 Type</p> <p>② 口径 In-Outlet 25-1" 50-2" 40-1-1/2" 65-2-1/2"</p> <p>③ 马力 Power 0-1/2HP 3-3HP 1-1HP 5-5HP 2-2HP</p> <p>④ 扬程 Head L/无-低扬程 Low head H-高扬程 High head</p>	<p>⑤ 泵体材质 Pump body material P-CFRPP K-PVDF</p> <p>⑥ 橡胶材质 Rubber material V-VITON E-EPDM N-NBR</p> <p>⑦ 轴承材质 Bearing material S-SIC C-陶瓷 Ceramic R-PTFE</p> <p>⑧ 频率 Frequency 5-50HZ 6-60HZ</p>
---	---

性能曲线图 / Curve

以下数据仅供参考，请向创升泵业索要正规性能曲线。
The following data is for reference only, please ask for the regular performance curve from Transcend Pump Industry.

流量Capacity (l/min)

型号说明 / Type

CX - 25 25 1 P V C S 5

① ② ③ ④ ⑤ ⑥ ⑦ ⑧ ⑨

CX - 100 RM - P V C 1 5

① ⑩ ⑪ ⑤ ⑥ ⑦ ④ ⑨

<p>① 机型号 Type</p> <p>② 口径 In-Outlet 25-1"(塑胶脚架)</p> <p>③ 功率 Power 10-100W 18-180W 25-250W</p> <p>④ 相数Phase 1-单相 Single-phase 3-三相 Three-phase</p> <p>⑤ 泵体材质 Pump body material P-CFRPP K-PVDF</p> <p>⑥ 橡胶材质 Rubber material V-VITON E-EPDM N-NBR</p>	<p>⑦ 轴承材质 Bearing material S-SIC C-陶瓷 Ceramic R-PTFE</p> <p>⑧ 出入方式 Access mode H-承插式 Socket S-外牙式 External tooth</p> <p>⑨ 频率 Frequency 5-50HZ 6-60HZ</p> <p>⑩ 功率 Power 70-180W 100-250W (金属脚架)</p> <p>⑪ 出入方式 Access mode R-承插式 Socket RM-外牙式 External tooth</p>
--	---

性能曲线图 / Curve

以下数据仅供参考，请向创升泵业索要正规性能曲线。
The following data is for reference only, please ask for the regular performance curve from Transcend Pump Industry.

流量Capacity (l/min)

特点及优点 / Features and Benefits

- ◆ 不泄漏: 无轴封结构并不像传统离心式泵浦, 驱动磁铁与被动磁铁之间被耐腐蚀性强的后盖隔开, 可避免泄漏、污染、腐蚀等问题发生。
- ◆ 抗腐蚀: 泵体采用欧洲原料, 抗腐超强, 可根据输送之药液可选择CFRPP和PVDF两种泵体材质。泵浦轴心材质有陶瓷及SIC, 其中陶瓷可用于一般低腐蚀性液体, SIC可抗高腐蚀性液体。
- ◆ 耐久性能高: 由泵浦流体力学设计软件计算了最佳流道几何, 将流损降至最低, 提高叶轮流效率。采用超强永久稀土类钕铁硼磁铁, 具有优异性能及耦合能力。
- ◆ 易于装配: 泵浦内部零件规格化, 装配简易, 拆卸, 检查, 保养非常容易完成, 方便又省时。
- ◆ 塑胶射出成型之底座, 轻便, 耐腐蚀。
- ◆ 组合式法兰, 方便配管。
- ◆ Zero leakage: Unlike the conventional centrifugal pump, the seal-less design on the magnetic drive pump has a corrosion-resistant rear casing that separates the drive magnet and the magnet capsule. This may avoid liquid leakage, pollution or corrosion problems.
- ◆ Corrosion resisting: The pump body is made of raw material from Europe, stronger corrosion-resistant. You can choose CFRPP or PVDF depending on what kind of chemical liquid you send. The pump spindle can be made from ceramic and SIC. The ceramic spindle is generally applied for low corrosion. The SIC spindle is excellent for high corrosion liquid.
- ◆ Maximum Durability: The geometry of impeller and casing are fine tuned by professional hydraulic program to reduce hydraulic loss and increase pump efficiency. Employs extra powerful permanent NdFeB magnet that be outstanding performance and coupling capability.
- ◆ Easy to Assemble: The parts are standard, easy to assembling, checking, maintaining, more convenient and saving more time.
- ◆ The plastic base is lighter and more corrosion-resistant.
- ◆ Adjustable flange facilitates piping installation.

型号参数 / Model parameter

(测试介质:水 比重:1.0) Test: Water

项目 Item 型号 Type	进出口口径 In-Outlet (Inch)	功率 Power		相数 Phase	极数 Pole	曲线 Curve	标准流量 (l/min-m) Standard Flow	全流量 (l/min) Max Flow	全扬程 (m) Max Head	重量 (kg) Weight
		KW	HP							
CX-250	1" * 1"	0.4	1/2	3	2	e/E	50-14/13.5	150	16	14
CX-400	1-1/2" * 1-1/2"	0.4	1/2	3	2	f/F	100-10.5/10	260	12.5	14
CX-251	1" * 1"	0.75	1	3	2	g/G	80-19	150	23	20
CX-401	1-1/2" * 1-1/2"	0.75	1	3	2	h/H	150-14.5	320	19	20
CX-402	2" * 1-1/2"	1.5	2	3	2	i/I	200-20/19.5	450	28	29
CX-402H	2" * 1-1/2"	1.5	2	3	2	j/J	100-30	380	32	29
CX-403	2" * 1-1/2"	2.2	3	3	2	k/K	250-23/25	500	32	30
CX-403H	2" * 1-1/2"	2.2	3	3	2	l/L	100-35/36	380	36	30
CX-405	2" * 1-1/2"	3.75	5	3	2	n/M	350-30/35	550	37	42
CX-655	2-1/2" * 2"	3.75	5	3	2	/	500-16	800	25	45
CX-665	2-1/2" * 2-1/2"	3.75	5	3	2	/	800-10	1200	15	45

特点及优点 / Features and Benefits

- ◆ 不泄漏: 无轴封结构并不像传统离心式泵浦, 驱动磁铁与被动磁铁之间被耐腐蚀性强的后盖隔开, 可避免泄漏、污染、腐蚀等问题发生。
- ◆ 抗腐蚀: 泵体采用欧洲原料, 抗腐超强, 可根据输送之药液可选择CFRPP和PVDF两种泵体材质。泵浦轴心材质有陶瓷及SIC, 其中陶瓷可用于一般低腐蚀性液体, SIC可抗高腐蚀性液体。
- ◆ 耐久性能高: 由泵浦流体力学设计软件计算了最佳流道几何, 将流损降至最低, 提高叶轮流效率。
- ◆ 易于装配: 泵浦内部零件规格化, 装配简易, 拆卸, 检查, 保养非常容易完成, 方便又省时。
- ◆ 塑胶射出成型之底座, 轻便, 耐腐蚀。
- ◆ Zero leakage: Unlike the conventional centrifugal pump, the seal-less design on the magnetic drive pump has a corrosion-resistant rear casing that separates the drive magnet and the magnet capsule. This may avoid liquid leakage, pollution or corrosion problems.
- ◆ Corrosion resisting: The pump body is made of raw material from Europe, stronger corrosion-resistant. You can choose CFRPP or PVDF depending on what kind of chemical liquid you send. The pump spindle can be made from ceramic and SIC. The ceramic spindle is generally applied for low corrosion. The SIC spindle is excellent for high corrosion liquid.
- ◆ Maximum Durability: The geometry of impeller and casing are fine tuned by professional hydraulic program to reduce hydraulic loss and increase pump efficiency.
- ◆ Easy to Assemble: The parts are standard, easy to assembling, checking, maintaining, more convenient and saving more time.
- ◆ The plastic base is lighter and more corrosion-resistant.

型号参数 / Model parameter

(测试介质:水 比重:1.0) Test: Water

项目 Item 型号 Type	进出口口径 In-Outlet (Inch)	功率 Power (W)	相数 Phase	曲线 Curve	标准流量 (l/min-m) Standard Flow	全流量 (l/min) Max Flow	全扬程 (m) Max Head	重量 (kg) Weight
CX-2525	1" * 1"	250	1 φ/3 φ	B/b	70-6.0/9.0	110/125	8.7/11.5	10
CX-70RM	1" * 1"	180	1 φ/3 φ	A/a	50-5.4/7.8	90/100	8.0/11	8
CX-100RM	1" * 1"	250	1 φ/3 φ	B/b	70-6.0/9.0	110/125	8.7/11.5	10

CSM 10RM-100RM | CSM型耐酸碱磁力泵浦 Magnetic Pump



CSM 1/2-5HP | CSM型耐酸碱磁力泵浦 Magnetic Pump



型号说明 / Type

CSM - 70 RM - K V C 1 5

① ② ③ ④ ⑤ ⑥ ⑦ ⑧

① 机型编号 Type	④ 材质 material 无 NO-CFRPP材质 material K-PVDF材质 material
② 功率 Power 10-6W 15-10W 20-20W 30-45W 40-65W 55-120W 70-180W 100-250W	⑤ O环 O-ring V-VITON E-EPDM
③ 出入方式 Access mode R-插管式 Intubation RM-螺纹式 Thread	⑥ 轴承材质 Bearing material S-SIC C-陶瓷 Ceramic R-PTFE
	⑦ 相数 Phase 1-单相 Single-phase 3-三相 Three-phase
	⑧ 频率 Frequency 5-50HZ 6-60HZ

性能曲线图 / Curve

以下数据仅供参考，请向创升泵业索要正规性能曲线。
The following data is for reference only, please ask for the regular performance curve from Transcend Pump Industry.

型号说明 / Type

CSM - 40 0 3 E P C F 5

① ② ③ ④ ⑤ ⑥ ⑦ ⑧ ⑨

① 机型编号 Type	⑥ 泵体材质 Pump body material P-CFRPP K-PVDF
② 口径 In-Outlet 40-1-1/2" 50-2" 65-2-1/2"	⑦ 轴承材质 Bearing material S-SIC C-陶瓷 Ceramic R-PTFE
③ 功率 Power 0-1/2HP 1-1HP 2-2HP 3-3HP 5-5HP	⑧ 出入方式 Access mode F-法兰式 Flange
④ 相数 Phase 3-三相 Three-phase	⑨ 频率 Frequency 5-50HZ 6-60HZ
⑤ O环 O-ring V-VITON E-ERDM N-NBR	

性能曲线图 / Curve

以下数据仅供参考，请向创升泵业索要正规性能曲线。
The following data is for reference only, please ask for the regular performance curve from Transcend Pump Industry.

特点及优点 / Features and Benefits

- ◆ 无泄漏：无轴封结构并不像传统离心式泵浦，驱动磁铁与被动磁铁之间被耐腐蚀性强的后盖隔开，可避免泄漏、污染、腐蚀等问题发生。
- ◆ 抗腐蚀：泵体采用欧洲原料，抗腐超强，可根据输送之药液可选择CFRPP和PVDF两种泵体材质。泵浦轴心材质有陶瓷及SIC，其中陶瓷可用于一般低腐蚀性液体，SIC可抗高腐蚀性液体。
- ◆ 耐久性能高：由泵浦流体力学设计软件计算了同最佳流道几何，将流损降至最低，提高叶轮流效率。
- ◆ 易于装配：泵浦内部零件规格化，装配简易，拆卸，检查，保养非常容易完成，方便又省时。
- ◆ Zero leakage: Unlike the conventional centrifugal pump, the sealless design on the magnetic drive pump has a corrosion-resistant rear casing that separates the drive magnet and the magnet capsule. This may avoid liquid leakage, pollution or corrosion problems.
- ◆ Corrosion resisting: The pump body is made of raw material from Europe, stronger corrosion-resistant. You can choose CFRPP or PVDF depending on what kind of chemical liquid you send. The pump spindle can be made from ceramic and SIC. The ceramic spindle is generally applied for low corrosion. The SIC spindle is excellent for high corrosion liquid.
- ◆ Maximum Durability: The geometry of impeller and casing are fine tuned by professional hydraulic program to reduce hydraulic loss and increase pump efficiency.
- ◆ Easy to Assemble: The parts are standard, easy to assembling, checking, maintaining, more convenient and saving more time.

型号参数 / Model parameter

(测试介质:水 比重:1.0) Test: Water

项目 Item 型号 Type	进出口口径 In-Outlet (Inch)	功率 Power (W)	50HZ			60HZ			重量 Weight (kg)
			曲线 Curve (红Red)	全扬程 Max Head (m)	全流量 Max Flow (l/min)	曲线 Curve (蓝Blue)	全扬程 Max Head (m)	全流量 Max Flow (l/min)	
CSM-10R	14*14	6	a	1.5	11	a	2.1	12	3
CSM-15R(M)	14*14	10	b	2.7	16	b	3.4	19	3
CSM-20R(M)	3/4"	20	c	3.1	27	c	4.3	32	4
CSM-30R(M)	3/4"	45	d	3.5	30	d	5	37	5
CSM-40R(M)	3/4"	65	e	4.2	43	e	6.3	50	5
CSM-55R(M)	1"	120	f	5.6	60	f	8.2	70	9
CSM-70R(M)	1"	180	g	10	90	g	12	110	9
CSM-100R(M)	1"	250	h	12.5	120	h	14	120	10

特点及优点 / Features and Benefits

- ◆ 无泄漏：无轴封结构并不像传统离心式泵浦，驱动磁铁与被动磁铁之间被耐腐蚀性强的后盖隔开，可避免泄漏、污染、腐蚀等问题发生。
- ◆ 抗腐蚀：泵体采用欧洲原料，抗腐超强，可根据输送之药液可选择CFRPP和PVDF两种泵体材质。泵浦轴心材质有陶瓷及SIC，其中陶瓷可用于一般低腐蚀性液体，SIC可抗高腐蚀性液体。
- ◆ 耐久性能高：由泵浦流体力学设计软件计算了同最佳流道几何，将流损降至最低，提高叶轮流效率。
- ◆ 易于装配：泵浦内部零件规格化，装配简易，拆卸，检查，保养非常容易完成，方便又省时。
- ◆ Zero leakage: Unlike the conventional centrifugal pump, the sealless design on the magnetic drive pump has a corrosion-resistant rear casing that separates the drive magnet and the magnet capsule. This may avoid liquid leakage, pollution or corrosion problems.
- ◆ Corrosion resisting: The pump body is made of raw material from Europe, stronger corrosion-resistant. You can choose CFRPP or PVDF depending on what kind of chemical liquid you send. The pump spindle can be made from ceramic and SIC. The ceramic spindle is generally applied for low corrosion. The SIC spindle is excellent for high corrosion liquid.
- ◆ Maximum Durability: The geometry of impeller and casing are fine tuned by professional hydraulic program to reduce hydraulic loss and increase pump efficiency.
- ◆ Easy to Assemble: The parts are standard, easy to assembling, checking, maintaining, more convenient and saving more time.

型号参数 / Model parameter

(测试介质:水 比重:1.0) Test: Water

项目 Item 型号 Type	进出口口径 In-Outlet (Inch)	功率 Power	50HZ			60HZ			重量 Weight (kg)
			曲线 Curve (红Red)	全扬程 Max Head (m)	全流量 Max Flow (l/min)	曲线 Curve (蓝Blue)	全扬程 Max Head (m)	全流量 Max Flow (l/min)	
CSM-400	1-1/2"	1/2HP	a	9.5	240	a	10	240	16
CSM-401	1-1/2"	1HP	b	12	340	b	14.5	300	23
CSM-402	2**1-1/2"	2HP	c	23	480	c	24.5	420	28
CSM-403	2**1-1/2"	3HP	d	25	550	d	27	520	30
CSM-405	2**1-1/2"	5HP	e	30	550	e	32	560	42
CSM-505	2-1/2**2"	5HP	f	28	680	f	30	750	45

HD 1-5HP | HD型同轴自吸式耐酸碱卧式泵浦 Horizontal Centrifugal Pump



HD 5-10HP | HD型同轴自吸式耐酸碱卧式泵浦 Horizontal Centrifugal Pump



型号说明 / Type

HD - 40 02 2 N B L C C S

① 机型编号 Type
HD-FRPP材质 material
HDK-PVDF材质 material

② 口径 In-Outlet
40-1-1/2" 50-2"

③ 马力 Power
01-1HP 02-2HP
03-3HP 05-5HP

④ 极数 Pole
2-2P 4-4P

⑤ 橡胶材质 Rubber material
V-VITON E-EPDM
N-NBR

⑥ B-无舌单向阀
No tongue check valve
A-有舌单向阀
Tongue check valve

⑦ L-低扬程 Low head
H-高扬程 High head

⑧ 固定环
C-陶瓷 Ceramic S-SiC

⑨ 转动环 Rotating ring
C-碳素 Carbon S-SiC

⑩ 弹簧 Spring
H-HASTELLOY-C
S-SUS316

性能曲线图 / Curve

以下数据仅供参考，请向创升泵业索要正规性能曲线。
The following data is for reference only, please ask for the regular performance curve from Transcend Pump Industry.

特点及优点 / Features and Benefits

- ◆ 特殊的自吸式设计，自吸力强，自吸可达20ft。
- ◆ 泵浦依化学性需求选用不同塑料，有FRPP, PVDF。
- ◆ 最高流体温度: FRPP80°C(176°F), PVDF90°C(194°F)
- ◆ 采用不锈钢316加工制造的马达延长轴心连接到标准马达上，一个Teflon轴套套在该轴心上，该轴心组合与抽送的化学药水或溶液之间就不会有药水的接触。
- ◆ 轴封是以泵中抽送的溶液来做冷却，而且就泵罩壳的设计来看，机械轴封永远浸在溶液中，因此当泵停机时，轴封周遭的结晶就无法形成。
- ◆ 泵出入口依型号及规格有标准的1-1/2", 2"或3"等法兰接头。
- ◆ 高效率，低操作成本，不泄漏，易于维护。
- ◆ 耐腐蚀性优良。
- ◆ 最大可靠度的独立止推轴承。
- ◆ 流体比重可达1.8。
- ◆ Special self priming design, stronger self in draw to 20ft.
- ◆ FRPP, PVDF material depending on what kind of sending chemical liquid.
- ◆ Max. fluid temperature: FRPP80°C(176°F), PVDF90°C(194°F).
- ◆ The motor shaft extension is coupled to a standard motor and is made of SUS316, a Teflon sleeve is installed over the shaft, there is no solution contact between the shaft assembly and the chemicals or solution being pumped.
- ◆ The seal is cooled by the solution in the pump which running, by the design of the pump housing, the mechanical seal is always submerged in solution, so crystals cannot be formed around the seal when the pump is turned off.
- ◆ The pump connections are standard 1-1/2", 2", or 3" flange connections depending on model and size.
- ◆ High efficiency-low operation cost, leak-free operation and easy maintenance.
- ◆ Excellent chemical resistance.
- ◆ Independent thrust bearings for maximum reliability.
- ◆ Fluid specific gravity up to 1.8.

型号参数 / Model parameter

(测试介质:水 比重:1.0) Test: Water

项目 Item 型号 Type	进出口口径 In-Outlet (mm)	相数 Phase	功率 Power (HP)	极数 Pole	50HZ			60HZ			重量 Weight (kg)
					曲线 Curve (红Red)	全扬程 Max Head (m)	全流量 Max Flow (l/min)	曲线 Curve (蓝Blue)	全扬程 Max Head (m)	全流量 Max Flow (l/min)	
HD-40011L	40*40	1	1/2	4	l	7	185	b	8	200	25
HD-40013L	40*40	3	1/2	4	l	7	185	b	8	200	25
HD-40012L	40*40	3	1	2	l	13	240	a	16	240	27
HD-40014L	40*40	3	1	4	k	7	210	c	9	270	29
HD-40022L	40*40	3	2	2	l	18	280	d	21	300	36
HD-40022H	40*40	3	2	2	m	19	300	e	25	330	36
HD-40032H	40*40	3	3	2	p	25	380	h	28	400	40
HD-50032L	50*50	3	3	2	n	21	410	f	25	430	41
HD-50032H	50*50	3	3	2	o	23	390	g	30	480	41
HD-50052H	50*50	3	5	2	t	26	450	s	34	550	67/43

型号说明 / Type

HD - 75 07 2 E B L C C S 5

① 机型编号 Type
HD-FRPP材质 material
HDK-PVDF材质 material

② 口径 In-Outlet
75-3"

③ 马力 Power
05-5HP 07-7.5HP
10-10HP

④ 极数 Pole
2-2P 4-4P

⑤ 橡胶材质 Rubber material
V-VITON E-EPDM
N-NBR

⑥ B-无舌单向阀
No tongue check valve
A-有舌单向阀
Tongue check valve

⑦ L-低扬程 Low head

⑧ 固定环
C-陶瓷 Ceramic S-SiC

⑨ 转动环 Rotating ring
C-碳素 Carbon S-SiC

⑩ 弹簧 Spring
H-HASTELLOY-C
S-SUS316

⑪ 频率 Frequency
5-50Hz 6-60Hz

性能曲线图 / Curve

以下数据仅供参考，请向创升泵业索要正规性能曲线。
The following data is for reference only, please ask for the regular performance curve from Transcend Pump Industry.

特点及优点 / Features and Benefits

- ◆ 特殊的自吸式设计，自吸力强，自吸可达20ft。
- ◆ 泵浦依化学性需求选用不同塑料，有FRPP, PVDF。
- ◆ 最高流体温度: FRPP80°C(176°F), PVDF90°C(194°F)
- ◆ 采用不锈钢316加工制造的马达延长轴心连接到标准马达上，一个Teflon轴套套在该轴心上，该轴心组合与抽送的化学药水或溶液之间就不会有药水的接触。
- ◆ 轴封是以泵中抽送的溶液来做冷却，而且就泵罩壳的设计来看，机械轴封永远浸在溶液中，因此当泵停机时，轴封周遭的结晶就无法形成。
- ◆ 高效率，低操作成本，不泄漏，易于维护。
- ◆ 耐腐蚀性优良。
- ◆ 最大可靠度的独立止推轴承。
- ◆ 流体比重可达1.8。
- ◆ Special self in drawn design, stronger self in draw to 20ft.
- ◆ FRPP, PVDF material depending on what kind of sending chemical liquid.
- ◆ Max. fluid temperature: FRPP/CFRPP80°C(176°F), PVDF90°C(194°F).
- ◆ The motor shaft extension is coupled to a standard motor and is made of SUS316, a Teflon sleeve is installed over the shaft, there is no solution contact between the shaft assembly and the chemicals or solution being pumped.
- ◆ The seal is cooled by the solution in the pump which running, by the design of the pump housing, the mechanical seal is always submerged in solution, so crystals cannot be formed around the seal when the pump is turned off.
- ◆ High efficiency-low operation cost, leak-free operation and easy maintenance.
- ◆ Excellent chemical resistance.
- ◆ Independent thrust bearings for maximum reliability.
- ◆ Fluid specific gravity up to 1.8.

型号参数 / Model parameter

(测试介质:水 比重:1.0) Test: Water

项目 Item 型号 Type	进出口口径 In-Outlet (mm)	功率 Power (HP)	相数 Phase	50HZ			60HZ			重量 Weight (kg)
				曲线 Curve (红Red)	全扬程 Max Head (m)	全流量 Max Flow (l/min)	曲线 Curve (蓝Blue)	全扬程 Max Head (m)	全流量 Max Flow (l/min)	
HD-75052	75*75	5	3φ	a	26	750	d	33	750	84
HD-75072	75*75	7.5	3φ	b	27	900	e	39	840	120
HD-75102	75*75	10	3φ	c	28	960	f	41	910	125

TS 1/2-10HP | TS型不锈钢同轴离心式泵浦 SUS Horizontal Centrifugal Pump



主要用途 / Typical applications

纯水业, 表面处理业, 食品业, 化工业使用
Suitable for water recirculation, plating solutions,
food and chemical industry.

型号说明 / Type

TS - 40 2 - C 4 V - 5
① ② ③ ④ ⑤ ⑥ ⑦

① 机型编号 Type

② 口径 In-Outlet
内牙式 Internal tooth
25-1" 40-1-1/2"
50-2" 65-2-1/2"
75-3"

③ 马力 Power
0.5-1/2HP 1-1HP
2-2HP 3-3HP
5-5HP 7.5-7.5HP
10-10HP

④ 轴封材质 Seal material
T-钨钢(碱性用)
Tungsten steel (with alkaline)
C-陶瓷(酸碱性均可)
Ceramic (acid base can be)

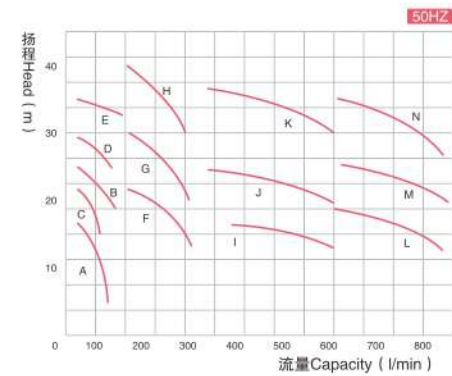
⑤ 泵体材质 Pump body material
4-SUS304
6-SUS316

⑥ 橡胶材质 Rubber material
N-NBR V-VITON E-EPDM

⑦ 频率 Frequency
5-50HZ
6-60HZ

性能曲线图 / Curve

以下数据仅供参考, 请向创升泵业索要正规性能曲线。
The following data is for reference only, please ask for the regular
performance curve from Transcend Pump Industry.



特点及优点 / Features and Benefits

- 材质采用不锈钢316/304精密铸造成型, 无砂孔问题, 叶轮效率高。
- 叶轮经动力平衡校正, 低噪音, 振动率低。
- 适合各种碱液, 微酸液循环使用, 耐高温。
- Cast 316/304 stainless steel pump, fine surface, high performance impeller.
- Balance calibrated impeller, low noise, low vibration. Suitable for all kinds of alkaline, week acid circulation.
- High temperature applications.

型号参数 / Model parameter

(测试介质:水 比重:1.0) Test: Water

项目 Item 型号 Type	进出口口径 In-Outlet (Inch)	功率 Power (HP)	50HZ			重量 Weight (kg)
			曲线 Curve (红Red)	全扬程 Max Head (m)	全流量 Max Flow (l/min)	
TS-25-05	1"	1/2	A	14	95	23
TS-25-1	1"	1	B	14	150	23
TS-40-1	1-1/2"	1	C	10	330	23
TS-40-2	1-1/2"	2	D	17	350	33
TS-40-3	1-1/2"	3	E	26	400	35
TS-50-2	2"	2	F	16	350	35
TS-50-3	2"	3	G	22	530	40
TS-50-5	2"	5	H	43	320	65
TS-65-3	2-1/2"	3	I	19	620	43
TS-65-5	2-1/2"	5	J	21	840	65
TS-65-7.5	2-1/2"	7.5	K	34	630	90
TS-75-5	3"	5	L	19	680	65
TS-75-7.5	3"	7.5	M	34	740	90
TS-75-10	3"	10	N	37	800	95

CV 1/2-10HP | CV型不锈钢耐酸碱立式泵浦 SUS Vertical Pump



主要用途 / Typical applications

纯水业, 表面处理业, 食品业, 化工业使用
Suitable for water recirculation, plating solutions,
food and chemical industry.

型号说明 / Type

CV - 50 VK 5 5 V S6
① ② ③ ④ ⑤ ⑥ ⑦

① 机型编号 Type

② 口径 In-Outlet
内牙式 Internal tooth
25-1" 40-1.5"
50-2" 65-2.5"

③ 比重 Gravity
VK-1.1 VP-1.4

④ 马力 Power
1/2-1/2HP 1-1HP
2-2HP 3-3HP
5-5HP

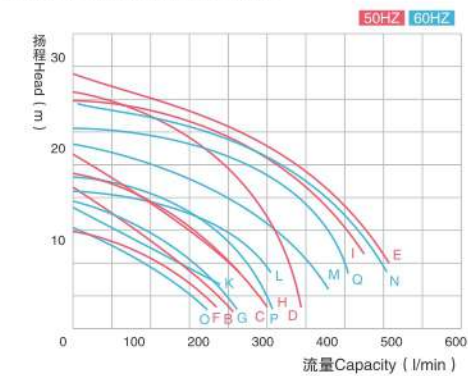
⑤ 频率 Frequency
5-50HZ 6-60HZ

⑥ O环 O-ring
E-EPDM V-VITON

⑦ 泵体材质 Pump body material
S4-SUS304
S6-SUS316
T-钛 Titanium

性能曲线图 / Curve

以下数据仅供参考, 请向创升泵业索要正规性能曲线。
The following data is for reference only, please ask for the regular
performance curve from Transcend Pump Industry.



特点及优点 / Features and Benefits

- 材质采用不锈钢316/304精密铸造成型, 无砂孔问题, 叶轮效率高。
- 无轴封设计, 绝不因空运转而损坏, 设计有防止酸气进入轴承之密封圈。
- 叶轮经动力平衡校正, 低噪音, 振动率低。
- 泵浦体积小, 适合槽内槽外设计使用。
- 马达前后托架有油封设计, 防止酸气进入。
- 适合各种碱液, 微酸液循环使用, 耐高温。
- Cast 316/304 stainless steel pump, fine surface, high performance impeller.
- Seal-less, dry-running without damage. Shaft seal prevents corrosive vapors from entering the bearing.
- Balance calibrated impeller, low noise, low vibration.
- Impact size, ideal for in tank applications.
- Both flanges of motor have shaft seals to prevent acid vapor from entering the motor.
- Suitable for all kinds of alkaline, week acid circulation, high temperature applications.

型号参数 / Model parameter

(测试介质:水 比重:1.0) Test: Water

项目 Item 型号 Type	进出口口径 In-Outlet (mm)	功率 Power (HP)	相数 Phase	50HZ			60HZ			重量 Weight (kg)
				曲线 Curve (红Red)	全扬程 Max Head (m)	全流量 Max Flow (l/min)	曲线 Curve (蓝Blue)	全扬程 Max Head (m)	全流量 Max Flow (l/min)	
CV-25VK-1/2	25*25	1/2	3φ	K	13	95	B	12.5	105	29
CV-40VK-1	40*40	1	3φ	K	10	310	B	10	300	33
CV-40VK-2	40*40	2	3φ	L	14.5	350	C	17.5	350	46
CV-50VK-3	50*50	3	3φ	M	19.5	540	D	20.5	540	50
CV-50VK-5	50*50	5	3φ	N	22	600	E	31	580	74
CV-65VK-7.5	80*65	7.5	3φ	N	22	860	E	28	800	105
CV-65VK-10	80*65	10	3φ	N	22	860	E	31	1050	110
CV-40VP-1	40*40	1	3φ	O	9	280	F	8	260	33
CV-40VP-2	40*40	2	3φ	G	14.5	340	G	15	325	46
CV-50VP-3	50*50	3	3φ	P	17	500	H	17	500	50
CV-50VP-5	50*50	5	3φ	Q	22	600	I	23	540	74

HFG TYPE

化学药液精密过滤机 Self-priming magnetic drive filter

更环保，更精密，零泄漏，更安全
More environmentally friendly, more precise, zero leakage, safer



化工制程精密过滤
CHEMICAL PROCESS PRECISION FILTRATION

HFG 201-318 | HFG型化学药液精密过滤机 Chemical Filter



主要用途 / Typical applications

化学药水或清水循环，PCB制程药水循环，各种电镀药水循环，各种酸碱液输送。
Chemical or water recirculation, PCB plating solution,
Various plating solutions recirculation, Deliver acids, alkali liquid.

型号说明 / Type

HFG - 206 1 P P F E B J
① ② ③ ④ ⑤ ⑥ ⑦ ⑧ ⑨

① 机型编号 Type

② 201-20"X1Pcs
202-20"X2Pcs
104-10"X4Pcs
204-20"X4Pcs
206-20"X6Pcs
208-20"X8Pcs
212-20"X12Pcs
218-20"X18Pcs
318-30"X18Pcs

③ 配泵功率 Pump power

0-1/2HP 1-1HP
2-2HP 3-3HP
5-5HP

④ 配泵泵体材质 Pump body material

P-FRPP K-PVDF

⑤ 滤桶材质 Filter barrel material

P-FRPP K-PVDF

⑥ 出入口方式 In-Outlet

F-法兰式 Flange

⑦ 橡胶材质 Rubber material

N-NBR E-EPDM
V-VITON

⑧ 滤材型式 Filter type

B-滤芯锁帽式 Filter nut
P-滤纸式 Filter paper
U-滤袋式 Filter bag

⑨ 出入口规格 In-Outlet

J-JIS (日规 JP)
D-DIN (德规 Germany)
A-ANS (美规 American Standard)

特点及优点 / Features and Benefits

- ◆ 过滤机以射出一体成型PP材料制成，组装维修容易。
- ◆ 泵浦采用无轴封磁力泵设计，绝无泄漏之虑。
- ◆ 根据电镀种类的不同，适用于镀槽容量1000至25000升槽液过滤。
- ◆ 操作温度可达70℃。
- ◆ 根据不同需要，可选用滤心锁帽、滤心压板式、滤纸式滤材设计，过滤精度高。
- ◆ Most filter parts are molded by polypropylene. Easy to assemble and maintain.
- ◆ Seal-less magnetic pump eliminates leakage of pump.
- ◆ For plating tanks from 1000 to approximately 25000 liters.
- ◆ Operating temperature to 70°C.
- ◆ Can be supplied with cartridge plate fixture, strainer plate fixture, star cloth bag, cartridge nut, paper.

型号参数 / Model parameter

型号 Type	滤芯数 Cartridge	过滤流量(l/min) Capacity	配泵功率 Pump power		进出口径(mm) In-Outlet	最高适用温度(°C) Maximum applicable temperature	最大工作压力(kg/cm²) Maximum working pressure
			KW	HP			
HFG-201	20"X1	30	0.065	1/8	20X20	70	0.8
HFG-202	20"X2	60	0.18	1/4	25X25	70	0.8
HFG-104	10"X4	60	0.18	1/4	25X25	70	0.8
HFG-204	20"X4	80	0.25	1/3	25X25	70	2
HFG-206	20"X6	150	0.37	1/2	40X40	70	2
HFG-208	20"X8	210	0.75	1	40X40	70	3
HFG-212	20"X12	320	1.5	2	50X40	70	4.5
HFG-218	20"X18	480	2.2	3	50X50	70	5
HFG-318	30"X18	520	3.75	5	65X50	70	5

HF 206-318 | HF型化学药液过滤机 Chemical Filter

主要用途 / Typical applications

化学药水或清水循环, PCB制程药水循环, 各种电镀药水循环, 各种酸碱液输送。
Chemical or water recirculation, PCB plating solution,
Various plating solutions recirculation, Deliver acids, alkali liquid.



HF 101-204 | HF型化学药液过滤机 Chemical Filter

主要用途 / Typical applications

化学药水或清水循环, PCB制程药水循环, 各种电镀药水循环, 各种酸碱液输送。
Chemical or water recirculation, PCB plating solution,
Various plating solutions recirculation, Deliver acids, alkali liquid.



型号说明 / Type

HF - 206 1 P P F E B O J X
① ② ③ ④ ⑤ ⑥ ⑦ ⑧ ⑨ ⑩ ⑪

- | | | |
|--|--|--|
| ① 机型编号 Type
② 206-20"X6Pcs
208-20"X8Pcs
212-20"X12Pcs
218-20"X18Pcs
318-30"X18Pcs
③ 配泵马力 Pump power
0-1/2HP 1-1HP
2-2HP 3-3HP
④ 配泵泵体材质
Pump body material
P-FRPP K-PVDF | ⑤ 滤桶材质
Filter barrel material
P-FRPP K-PVDF
⑥ 出入口方式 In-Outlet
F-法兰式 Flange
⑦ 橡胶材质 Rubber material
N-NBR E-EPDM V-VITON
⑧ 滤材型式 Filter type
B-滤芯锁帽式 Filter nut
P-滤纸式 Filter paper
K-杨桃式 Star cloth bag
U-滤袋式 Filter bag | ⑨ 活性炭装置
Activated carbon device
W-加装Retrofit
O-不加装No extra
⑩ 出入口规格 In-Outlet
J-JIS (日规JP)
D-DIN (德规Germany)
A-ANS (美规American Standard)
⑪ 加装自清回路
Install self-cleaning circuit
X-加装 Retrofit
无-不加装 No extra |
|--|--|--|

特点及优点 / Features and Benefits

- ◆ 过滤机以射出一体成型PP材料制成, 组装维修容易。
- ◆ 泵浦采用无轴封磁力泵设计, 绝无泄漏之虑。
- ◆ 根据电镀种类的不同, 适用于镀槽容量6000至25000升槽液过滤。
- ◆ 操作温度可达70℃。
- ◆ 根据不同需要, 可选用滤心锁帽、滤心压板式、杨桃式、滤纸式滤材设计, 过滤精度高。
- ◆ Most filter parts are molded by polypropylene. Easy to assemble and maintain.
- ◆ Seal-less magnetic pump eliminates leakage of pump.
- ◆ For plating tanks from 6000 to approximately 25000 liters.
- ◆ Operating temperature to 70°C.
- ◆ Can be supplied with cartridge plate fixture, strainer plate fixture, star cloth bag, cartridge nut, paper.

型号参数 / Model parameter

项目 Item	206	208-1	208-2	212	218	318	
适合电镀槽(t) Tank volume(ton)	1-2	1-3	1.5-3	2.5-4	4-6.5	6.5-7.5	
过滤量(l/min) Capacity	150	180	220	220	330-500	400-600	
进出口径(寸) In-Outlet(inch)	1-1/2"	1-1/2"	1-1/2"	1-1/2"	2"	2"	
滤材 Filtration method	滤芯数(支) Cartridge(Pcs)	20"X6	20"X8	20"X8	20"X12	20"X18	30"X18
	过滤面积 Filtration area(m ²)	1.5	2	2	3	4.5	6.7
	滤管数(支) Filtration pipe(Pcs)	20"X6	20"X8	20"X8	20"X12	20"X18	30"X18
	过滤面积 Filtration area(m ²)	0.7	0.9	0.9	1.3	2	3
	滤纸数(片) Filtration paper(Pcs)	φ 198X48	φ 234X48	φ 234X48	φ 302X40	φ 370X40	/
过滤面积 Filtration area(m ²)	1.5	2.2	2.2	3.6	5.4	/	
温度范围(°C) Temperature range	70	70	70	70	70	70	
配泵功率(HP) Pump power	1/2-1	1	2	2	3-5	3-5	

型号说明 / Type

HF - 104 P P U N B J
① ② ③ ④ ⑤ ⑥ ⑦ ⑧

- | | | |
|--|---|---|
| ① 机型编号 Type
② 101-10"X1Pcs
102-10"X2Pcs
201-20"X1Pcs
202-20"X2Pcs
104-10"X4Pcs
204-20"X4Pcs
③ 配泵泵体材质
Pump body material
P-FRPP K-PVDF | ④ 滤桶材质
Filter barrel material
P-FRPP K-PVDF
⑤ 出入口方式 In-Outlet
U-由任式Union
⑥ 橡胶材质 Rubber material
N-NBR E-EPDM
V-VITON | ⑦ 滤材型式 Filter type
B-滤芯锁帽式 Filter nut
⑧ 出入口规格 In-Outlet
J-JIS (日规JP)
D-DIN (德规Germany)
A-ANS (美规American Standard) |
|--|---|---|

特点及优点 / Features and Benefits

- ◆ 过滤机以射出一体成型PP材料制成, 组装维修容易。
- ◆ 泵浦采用无轴封磁力泵设计, 绝无泄漏之虑。
- ◆ 根据电镀种类的不同, 适用于镀槽容量1000至6000升槽液过滤。
- ◆ 操作温度可达70℃。
- ◆ Most filter parts are molded by polypropylene. Easy to assemble and maintain.
- ◆ Seal-less magnetic pump eliminates leakage of pump.
- ◆ For plating tanks from 1000 to approximately 6000 liters.
- ◆ Operating temperature to 70°C.

型号参数 / Model parameter

项目 Item	101	102	201	104	202	204	
适合电镀槽(t) Tank volume(ton)	0.2	0.4	0.4	0.6	0.6	0.8	
过滤量(l/min) Capacity	15	30	30	60	60	80	
进出口径(寸) In-Outlet(inch)	3/4"	3/4"	3/4"	1"	1"	1"	
滤材 Filtration method	滤芯数(支) Cartridge(Pcs)	10"X1	10"X2	20"X1	10"X4	20"X2	20"X4
	过滤面积 Filtration area(m ²)	0.125	0.25	0.25	0.5	0.5	1
	滤纸数(片) Filtration paper(Pcs)	/	/	/	φ 124X25	/	φ 124X50
	过滤面积 Filtration area(m ²)	/	/	/	0.3	/	0.6
温度范围(°C) Temperature range	70	70	70	70	70	70	
配泵功率(W) Pump power	45	65	65	150/260	150/180	150/260	
机体重量(kg) Weight	15	17.5	17	28	24	30	

HFI 101-104 | HFI型槽内式化学药液过滤机 In-tank Chemical Filter



主要用途 / Typical applications

专为连续电镀、贵金属电镀过滤设计。
Specially designed for filtration of continuously plating, noble metal plating.

型号说明 / Type								
HFI - 101 8 P P U N B J								
①	②	③	④	⑤	⑥	⑦	⑧	⑨
① 机型编号 Type	② 101-10"X1Pcs 102-10"X2Pcs 103-10"X3Pcs 104-10"X4Pcs	③ 配泵功率 Pump power 0-1/15HP 6-1/6HP 4-1/4HP 3-1/3HP 2-1/2HP	④ 配泵泵体材质 Pump body material P-FRPP K-PVDF	⑤ 滤桶材质 Filter barrel material P-FRPP K-PVDF	⑥ 出口方式 Outlet U-由任式弯管 Union S-内牙不弯管 Innertooth	⑦ 橡胶材质 Rubber material N-N BR E-EPDM V-VITON	⑧ 滤材型式 Filter type B-滤芯锁帽式 Filter nut	⑨ 出入口规格 In-Outlet J-JIS (日规JP) D-DIN (德规Germany) A-ANS (美规American Standard)

特点及优点 / Features and Benefits

- ◆ 采用PP实板精制而成，耐酸碱，性能优。
- ◆ 泵浦采用化式立式泵设计，可耐空转。
- ◆ 设计精巧，置槽内使用，绝无泄漏之虑。
- ◆ 滤芯式设计，高精度，操作简单，容易清洗。
- ◆ 操作温度可达70℃。
- ◆ Most filter parts are molded by polypropylene. Corrosion protection and high efficiency.
- ◆ With chemical vertical pump, can be dry-running.
- ◆ Pretty size can used for in-tank, zero leakage.
- ◆ cartridge nut designed, easy to maintain, easy to clean.
- ◆ Operating temperature to 70℃.

型号参数 / Model parameter

型号 Type	项目 Item	配泵功率(HP) Pump power	出口口径(寸) Outlet(Inch)	滤芯长度(寸) Cartridge length (Inch)	滤芯数(支) Cartridge(Pcs)	过滤量(l/min) Capacity
HFI-101	适合电镀槽(t) Tank volume(ton)	1/15	1/2"	10"	1	15
HFI-101	过滤量(l/min) Capacity	1/8	1/2"	10"	1	15
HFI-102	进出口口径(寸) In-Outlet(inch)	1/4	3/4"	10"	2	30
HFI-103	滤芯数(支) Cartridge(Pcs)	1/3	1"	10"	3	50
HFI-104	过滤面积(m ²) Filtration area	1/3	1"	10"	4	60
HFI-104	温度范围(℃) Temperature range	1/2	1"	10"	4	80
HFI-104	配泵功率(HP) Pump power					

HFV 104-218 | HFV型化学镀药液过滤机 Chemical Filter



主要用途 / Typical applications

专为化学镀，镍，金，银，铜等槽液过滤而设计。
Designed for the filtration of chemical plating, nickel, gold, silver, copper.

型号说明 / Type								
HFV - 104 1/3 - P P U N B J								
①	②	③	④	⑤	⑥	⑦	⑧	⑨
① 机型编号 Type	② 104-10"X4Pcs 204-20"X4Pcs 206-20"X6Pcs 208-20"X8Pcs 212-20"X12Pcs 218-20"X18Pcs	③ 配泵功率 Pump power 1/3-1/3HP 1/2-1/2HP 1-1HP 2-2HP 3-3HP	④ 配泵泵体材质 Pump body material P-FRPP K-PVDF	⑤ 滤桶材质 Filter barrel material P-FRPP K-PVDF	⑥ 出入口方式 In-Outlet U-由任式 Union F-法兰式 Flange	⑦ 橡胶材质 Rubber material N-NBR E-EPDM V-VITON	⑧ 滤材型式 Filter type B-滤芯锁帽式 Filter nut U-滤袋式 Filter bag	⑨ 出入口规格 In-Outlet J-JIS (日规JP) D-DIN (德规Germany) A-ANS (美规American Standard)

特点及优点 / Features and Benefits

- ◆ 过滤机以射出一体成型PP/PVDF材料制成，组装维修容易。
- ◆ 泵浦采用化式立式泵设计，可耐空转。
- ◆ 滤芯式设计，高精度，操作简单，容易清洗。
- ◆ 操作温度可达70℃-90℃。
- ◆ Most filter parts are molded by polypropylene. Easy to assemble and maintain.
- ◆ With chemical vertical pump, can be dry-running.
- ◆ Cartridge nut, cartridge bay designed, easy to maintain, easy to clean.
- ◆ Operating temperature to 70℃-90℃.

型号参数 / Model parameter

项目 Item	型号 Type	104	204	206	208	212	218
适合电镀槽(t) Tank volume(ton)		0.6	0.8	1-2	1.5-3	2.5-4	4-6.5
过滤量(l/min) Capacity		60	80	150	220	250	330
进出口口径(寸) In-Outlet(inch)		1"	1"	1-1/2"	1-1/2"	1-1/2"	2"
滤芯数(支) Cartridge(Pcs)		10"X4	20"X4	20"X6	20"X8	20"X12	20"X18
过滤面积(m ²) Filtration area		0.5	1	1.5	2	3	4.5
温度范围(℃) Temperature range		70	70	70	70	70	70
配泵功率(HP) Pump power		1/3	1/2	1	2	2	3

HL 206-218 | HL型化学药液过滤器 Chemical Filter

主要用途 / Typical applications

化学药水或清水循环, PCB制程药水循环, 各种电镀药水循环。
Chemical or water recirculation, PCB plating solution,
Various plating solutions recirculation.



HL 101-204 | HL型化学药液过滤器 Chemical Filter

主要用途 / Typical applications

化学药水或清水循环, PCB制程药水循环, 各种电镀药水循环。
Chemical or water recirculation, PCB plating solution,
Various plating solutions recirculation.



型号说明 / Type		
HL - 206 P F N B J S		
① ② ③ ④ ⑤ ⑥ ⑦ ⑧		
① 机型编号 Type	③ 滤桶材质 Filter barrel material P-FRPP K-PVDF	⑥ 滤材型式 Filter type B-滤心锁帽式 Filter nut U-滤袋式 Filter bag P-滤纸式 Filter paper
② 206-20"X6Pcs 208-20"X8Pcs 212-20"X12Pcs 218-20"X18Pcs 318-30"X18Pcs	④ 出入口方式 In-Outlet F-法兰式 Flange	⑦ 出入口规格 In-Outlet J-JIS (日规JP) D-DIN (德规Germany) A-ANS (美规American Standard)
	⑤ 橡胶材质 Rubber material N-NBR E-EPDM V-VTON	⑧ 扣环组材质 Buckle group material 无/S-SU304 T-钛 Titanium

特点及优点 / Features and Benefits

- 过滤器以射出一体成型PP材料制成, 组装维修容易。
- 根据电镀种类的不同, 适用于镀槽容量6000至25000升槽液过滤。
- 操作温度可达70°C。
- 根据不同需要, 可选用滤心锁帽、滤心压板式、滤纸式滤材设计, 过滤精度高。
- Most filter parts are molded by polypropylene. Easy to assemble and maintain.
- For plating tanks from 6000 to approximately 25000 liters.
- Operating temperature to 70°C.
- Can be supplied with cartridge plate fixture, strainer plate fixture, star cloth bag, cartridge nut, paper.

型号参数 / Model parameter

项目 Item	型号 Type	206	208	212	218	318
适合电镀槽(t) Tank volume(ton)		1-2	1.5-3	2.5-4	4-6.5	6-7.5
过滤量(l/min) Capacity		150	180	220	330	430
进出口径(寸) In-Outlet(inch)		1-1/2"	1-1/2"	1-1/2"	2"	2"
滤芯数(支) Cartridge(Pcs)		20"X6	20"X8	20"X12	20"X18	30"X18
过滤面积(m²) Filtration area		1.5	2	3	4.5	6.7
温度范围(°C) Temperature range		70	70	70	70	70

型号说明 / Type		
HL - 104 P F N B J S		
① ② ③ ④ ⑤ ⑥ ⑦ ⑧		
① 机型编号 Type	③ 滤桶材质 Filter barrel material P-FRPP K-PVDF	⑥ 滤材型式 Filter type B-滤心锁帽式 Filter nut U-滤袋式 Filter bag P-滤纸式 Filter paper
② 101-10"X1Pcs 102-10"X2Pcs 201-20"X1Pcs 202-20"X2Pcs 104-10"X4Pcs 204-20"X4Pcs	④ 出入口方式 In-Outlet U-由任式 Union H-插管式 Intubation	⑦ 出入口规格 In-Outlet J-JIS (日规JP) D-DIN (德规Germany) A-ANS (美规American Standard)
	⑤ 橡胶材质 Rubber material N-NBR E-EPDM V-VTON	⑧ 扣环组材质 Buckle group material 无/S-SU304 T-钛 Titanium

特点及优点 / Features and Benefits

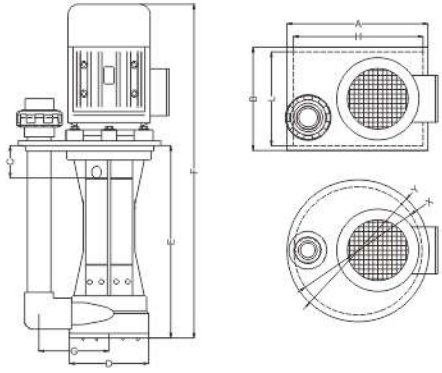
- 过滤器以射出一体成型PP材料制成, 组装维修容易。
- 根据电镀种类的不同, 适用于镀槽容量1000至6000升槽液过滤。
- 操作温度可达70°C。
- 根据不同需要, 可选用滤心锁帽、滤心压板式、滤纸式滤材设计, 过滤精度高。
- Most filter parts are molded by polypropylene. Easy to assemble and maintain.
- For plating tanks from 1000 to approximately 6000 liters.
- Operating temperature to 70°C.
- Can be supplied with cartridge plate fixture, strainer plate fixture, star cloth bag, cartridge nut, paper.

型号参数 / Model parameter

项目 Item	型号 Type	101	102	201	104	202	204
适合电镀槽(t) Tank volume(ton)		0.2	0.4	0.4	0.6	0.6	0.8
过滤量(l/min) Capacity		15	30	30	60	60	80
进出口径(寸) In-Outlet(inch)		3/4"	3/4"	3/4"	1"	1"	1"
滤芯数(支) Cartridge(Pcs)		10"X1	10"X2	20"X1	10"X4	20"X2	20"X4
过滤面积(m²) Filtration area		0.125	0.25	0.25	0.5	0.5	1
温度范围(°C) Temperature range		70	70	70	70	70	70

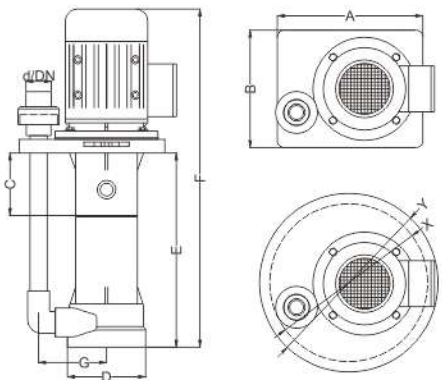
CS型立式泵尺寸图
Vertical Pump Size

CS型(3/4-3HP) 尺寸图 Size



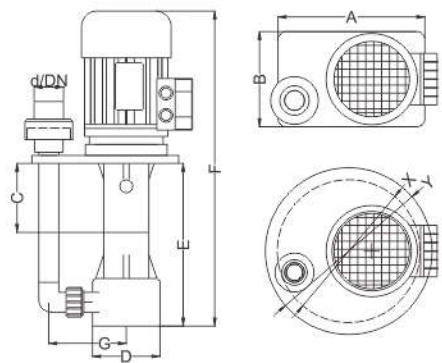
规格 Spec	尺寸/Size(mm)										
	A	B	C	D	E	F	G	H	L	Y	X
3/4HP	300	220	75	168	410	680	149	273	196	302	276
1HP	300	220	75	168	410	680	149	273	196	302	276
1.5HP	300	220	75	168	410	680	149	273	196	302	276
2HP	300	220	75	168	410	720	149	273	196	302	276
3HP	300	220	75	168	410	720	149	273	196	302	276

CS型(1/4-1/2HP) 尺寸图 Size



规格 Spec	尺寸/Size(mm)									
	A	B	C	D	E	F	G	Y	X	
1/4HP	213	170	90	113	282	500	105	260	230	
1/3HP	213	170	90	113	282	500	105	260	230	
1/2HP	213	170	90	113	282	520	105	260	230	

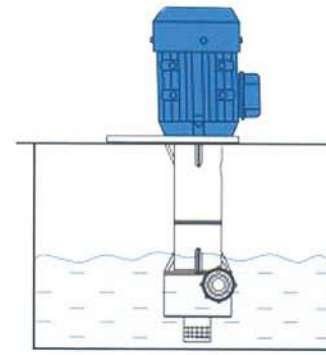
CS型(1/15-1/6HP) 尺寸图 Size



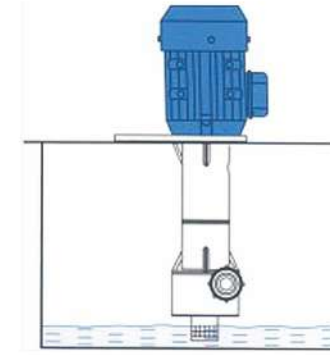
规格 Spec	尺寸/Size(mm)									
	A	B	C	D	E	F	G	Y	X	
1/15HP	185	120	90	85	210	400	105	210	180	
1/8HP	185	120	90	85	210	400	105	210	180	
1/6HP	185	120	90	85	210	400	105	210	180	

立式泵浦安装范例
Vertical Pump Installation Example

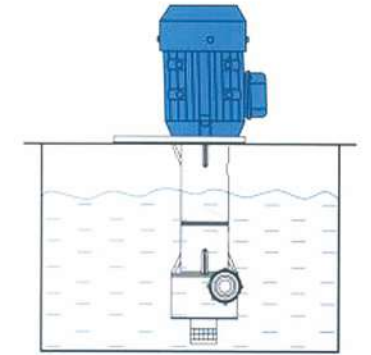
A. 最低启动水位
Lowest starting level



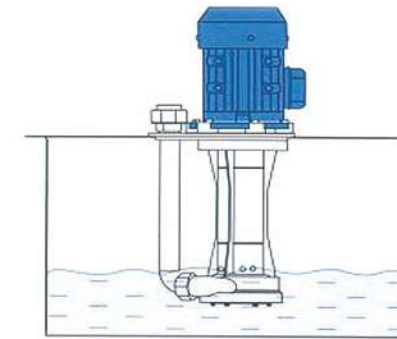
B. 最低运行水位
Minimum operating water level



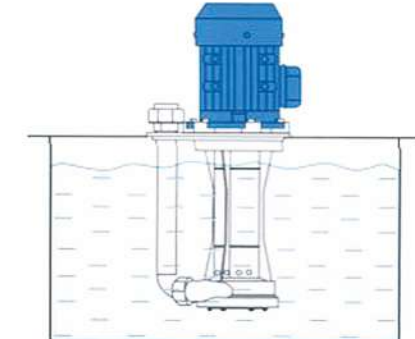
C. 最高运行水位
Maximum operating water level



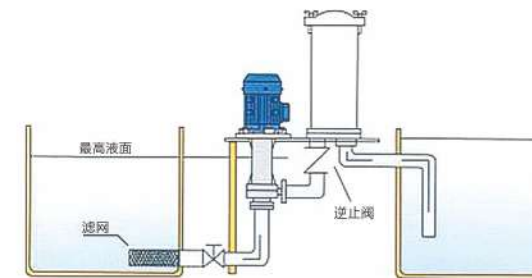
D. 最低启动/运行水位
Minimum start / run water level



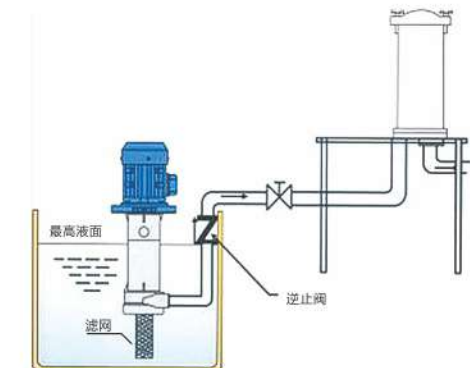
E. 最高运行水位
Maximum operating water level



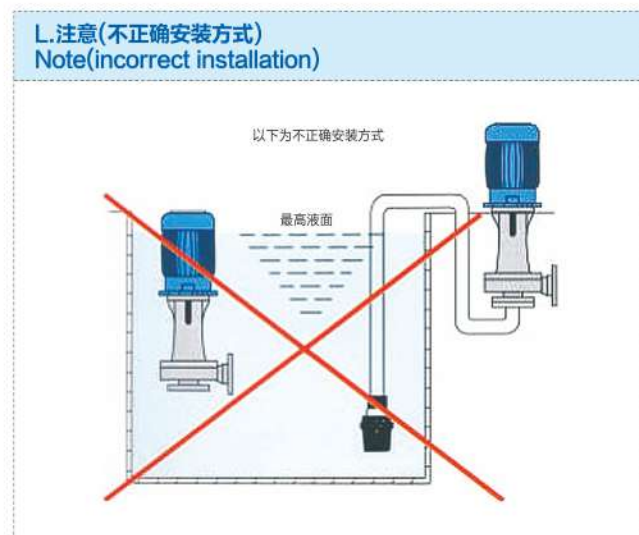
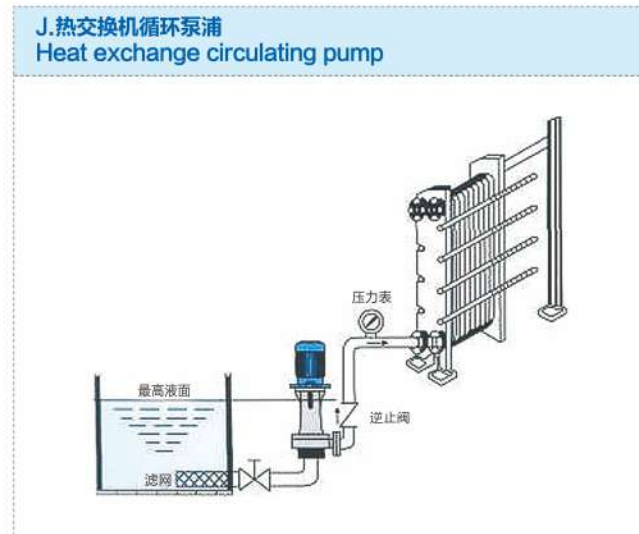
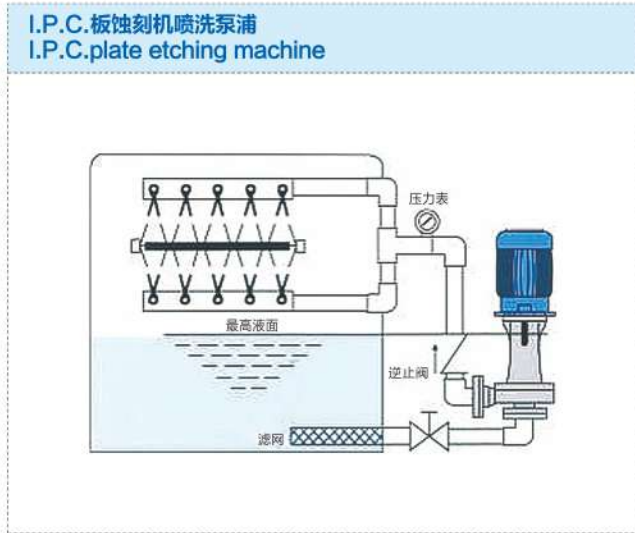
F. 泵浦装置桶外, 配合过滤器使用
Installed out-tank with filters



G. 泵浦装置槽内, 配合过滤器使用
Installed in-tank with filters



立式泵浦安装范例
Vertical pump installation example



- M. 注意事项**
Note
- 出口配管高度，如有高过于马达以上或有逆压之情形时，请在泵浦出口处装置逆止阀，装置位置请勿超过最高液面线太高。
 - 入口为安全起见，必须装置过滤阀以免吸入杂物损坏泵浦。
 - 在特殊环境下使用时，如需安装防爆或耐压防爆之马达时，请与本公司技术人员商谈。
 - 在含有化学气体之环境下使用时，必须选择特殊处理有防腐漆之马达。
 - If the height of the outlet piping is higher than that of the motor or when there is back pressure, please install a check valve at the outlet of the water pump. The position of the device should not exceed the maximum liquid level.
 - For safety reasons at the inlet, a filter valve must be installed to avoid damage to the pump by sucking in debris.
 - When using in a special environment, if you need to install explosion-proof or pressure-proof and explosion-proof motors, please discuss with our company's technicians.
 - When using in an environment containing chemical gases, you must choose a motor with a special treatment with anti-corrosion paint.

耐药性一览表
List Of Corrosion Resistance

药品名称 Drug name	浓度 Concentration %	温度 Temperature %	泵头材质 Pump head material			轴封材质 Seal material			橡胶材质 Rubber material		
			FRPP	CFRPP	PVDF	Ceramic	Carbon	Sic	NBR	EPDM	VITON
盐酸HCL	15	40	●	●	●	○	●	●		●	●
		60	●	●	●	●	●	●		●	●
		80	○	○	●	●	●	●		○	●
双氧水H ₂ O ₂	10	40	●	●	●	●	×	●	×		●
		60	○	○	●	●	×	●	×		●
		80	×	×	●	●	×	●	×		●
磷酸H ₃ PO ₄	25	40	●	●	●	●	●	●	●	●	●
		60	●	●	●	●	●	●	○	●	●
		80	○	○	●	●	●	●		○	●
次氯酸钠NaClO	10	40	○	○	●	●	○	●			●
		60	△	△	●	●	△	●			●
		80	×	△	●	●	×	●			●
醋酸CH ₃ COOH	25	40	●	●	●	●	●	●			×
		60	●	●	●	●	●	●			×
		80	○	○	●	●	●	●			×
氢氟酸HF	25	40	×	●	●	×	○	●		●	●
		60	×	○	●	×	○	●		○	●
		70	×	×	●	×	○	●		○	●
王水HCL+HNO ₃	3:1	40	×	×	●	○	×	●	×		○
		60	×	×	●	○	×	●	×		○
		80	×	×	●		×	●	×		●
铬酸CrO ₃	20	40			●	●					●
		60			●	●					○
		80			●	●					○
硫酸H ₂ SO ₄	30	40	●	●	●	●	●	●	●	●	●
		60	●	●	●	●	●	●	●	○	●
		80	●	●	●	●	●	●	●	○	●
	60	95	●	●	●	●	●	●	●		●
		40			○	●	●	●			●
氢氧化钠NaOH	98	40	●	●	○	△	●	●	●	●	○
		60	○	○	○	×	●	●	●	○	△
		80	○	○	×	×	●	●	○	○	△
氯化铁FeCl ₃	45	40	●	●	●		●	●	●	●	●
		60	●	●	●		●	●	○	●	●
		80	●	●	●		●	●	●	●	●
氰化铜Cu(CN) ₂		40	●	●	●	△	●	●	●	●	●
		60	●	●	●	△	●	●	●	●	●
		80	●	●	●		●	●	●	●	●
氯化锌ZnCl ₂		40	●	●	●	●	●	●	●	●	●
		60	●	●	●	●	●	●	●	●	●
硫酸镍NiSO ₄		40	●	●	●	●	●	●	●	●	●
		60	●	●	●	●	●	●	●	●	●
硝酸HNO ₃	20	40	●	●	●	●	●	●	●	●	●
		60	○	○	●	○	●	●			●
		80	○	○	●		●	●			●
50	40	●	●	●		●	●			●	
	60	○	○	●		●	●			●	

● 优 Excellent ○ 良 Good △ 不良 Bad × 差 Worse

询问卡

日期: 年 月 日				
公司名称				
地址				
部门		电话		
姓名		传真		
索取详录 ()	派员洽商 ()	现场试用 ()		
其它 ()				
类别				
<input type="checkbox"/> 1. 金属制品制造厂	<input type="checkbox"/> 6. 铝阳极处理厂	<input type="checkbox"/> 11. 染整厂		
<input type="checkbox"/> 2. 金属加工生产电镀	<input type="checkbox"/> 7. 电子PC版制造厂	<input type="checkbox"/> 12. 制药厂		
<input type="checkbox"/> 3. 代工电镀厂	<input type="checkbox"/> 8. 电子半导体制造厂	<input type="checkbox"/> 13. 其他		
<input type="checkbox"/> 4. 涂装设备制造商	<input type="checkbox"/> 9. 电子零件加工厂	<input type="checkbox"/> 14.		
<input type="checkbox"/> 5. 涂装工厂	<input type="checkbox"/> 10. 皮革厂	<input type="checkbox"/> 15		
洽询型式名称				
化学液	名称			
	温度		粘度	约 CPS
	杂质	有 () 无 ()	酸碱度	约PH=
运转条件	必要吐出量	约 () L/min	扬程 () m	
	运转时间	连续一日约 () 小时		
环境	设置场所	屋内 ()	屋外 ()	
	使用方法	移动式 ()	固定配管 ()	其他 ()
	液体温度	常温 ()	温度 ()	
使用条件	吸入口	液体比泵浦入口	高 ()	低 ()
	配管径			
	电源	单相 ()	三相 ()	
	其他			

地址: 广东省东莞市大岭山镇莲峰新路8号正强达科技园
 Add: Zhengqiangda Technology Park NO.8 Lianfeng road, DalingshanTown, DongguanCity, GuangdongProvince, China
 电话(Tel): 0769-8563 4622 / 8563 4633 传真(Fax): 0769-8563 4518 邮箱(E-mail): sale@cshgb.com

创升泵浦 · 德国品质
Transcend Pump · German Quality



部分客户
Some customers