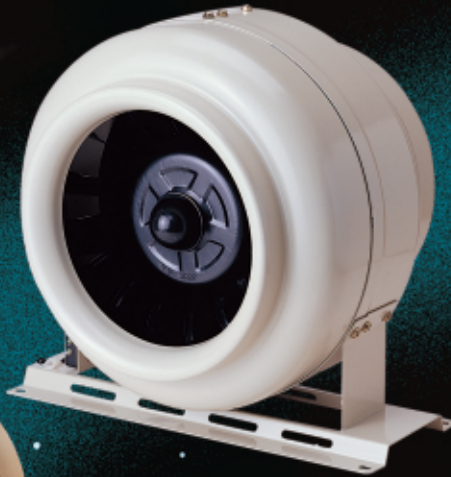
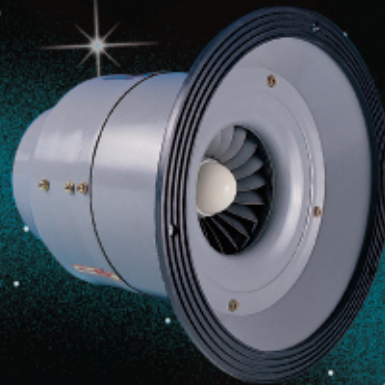


渦輪風扇系列 TURBO FAN SERIES



中一五金股份有限公司
JOUNING BLOWER CO., LTD.

渦輪風扇系列 TURBO FAN SERIES

目錄 CATALOG

* 幽浮扇系列 UFO FAN SERIES

UF-240	5
UF-250	5
UF-260	6
UF-280	6
UF-306	7
UF-310	8
UF-310H	8
UF-312	9
UF-312H	9

* 直立式幽浮扇系列 VERTICAL UFO FAN

VUF-360	7
---------------	---

* 子彈型抽送風機

BULLET SHAPE TUBING BLOWER

X-240 ..	10
----------	----

* 手提管式抽送風機 IN-LINE TURBO FAN

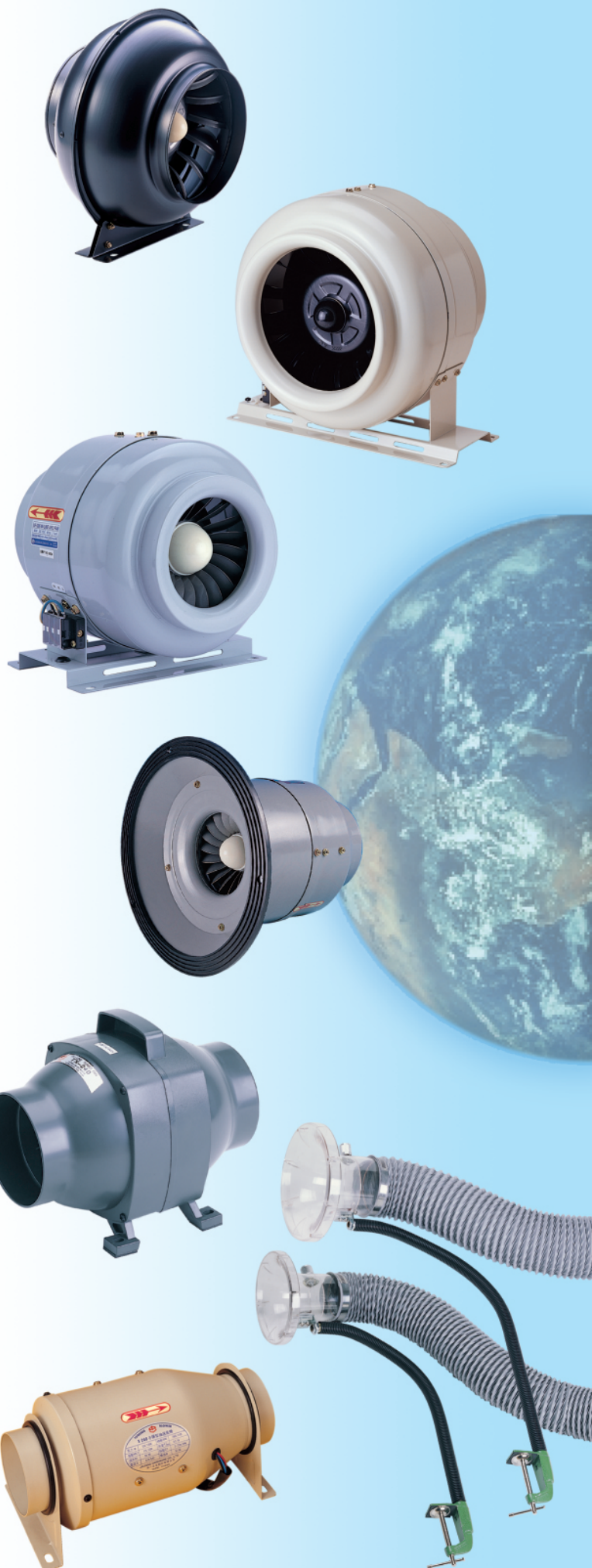
TX-240	12
TX-260	12

* 吸煙罩 SMOKE EXHAUST

SE-360 ..	13
SE-480 ..	13

* 管接頭 ADAPTER

AP-325	14
AP-430	14
AP-640	14
AP-860	14



公司簡介 INTRODUCTION



中一五金股份有限公司 成立於1966年，以生產各式扇葉、風輪及各種工業風機為主要營業項目。行銷台灣與世界各地，其中又以日本、東南亞、中東、澳洲為主要市場，品質獲得各界好評。目前不斷研發新型渦輪式透浦風機、氣動式防爆抽送風機，以及各式節能高效能高效率風機，以誠懇的態度、專業的技術為客戶提供最佳的產品。

JOUNING BLOWER CO., LTD. was established in 1966. We are a pro maker specialized in various blades; fan wheels and industrial fans. Our excellent products have been selling to the domestic market in Taiwan and all over the world. The main markets are Japan; Southeast Asia; Middle East and Australia where we achieved good reputation for high quality of products. Now we will keep researching & developing new type turbo fan; jetflow air mover as well as various saving- energy blowers of high performance and efficiency to provide our clients excellent products with outstanding technology and sincere attitude.

* 安裝完畢時，需做測試。如發現超過額定電流，則必須在出口或入風口處，適量減少截面積或增加風管，請勿在無負載下使用。

幽浮扇系列 UFO FAN SERIES

幽浮扇的外觀

新構想促使我們應用離心扇，加上新穎的外形設計而生產出幽浮扇，獨特的設計、輕巧、堅固穩健結合了流線形的外殼護網，因而可在相當大的壓力下運轉。

新幽浮扇最主要是突破傳統可置於管內、隧道、筒內應用發展，亦可以放置於任何地方，如會議室、人造天花板、櫥櫃、辦公室，且安裝或拆卸方便。

幽浮扇的功能

幽浮扇係採用高效率之透浦離心式葉輪，並以強力馬達直接轉動，經過特殊設計之導風板，使氣流順暢，運轉時非常安靜，且可以幫助小區域抽送排風、淨化空氣、溼氣，如家居、辦公室、商店或所有小密室等。

軸承採用標準型，馬達採用110V或220V50/60Hz，熱力亦標準。

幽浮扇可平放或垂直放，或兩邊接風管，非常容易清潔保養和修護，管長至15M長時依然有強大的風量。

幽浮扇的外殼

新穎美觀的外殼，構造結合了流線型的導風板因而幽浮扇產生了優異的性能，外殼的質料使用高強度鐵板及耐久性烤漆處理。

適用：

隔間換氣，地下室換氣，倉庫抽送風及溼氣之用。

可平放或垂直放，可接裝於風管之前、後端或裝風管之中段加壓。

- ◆安置於會議室或辦公室。
- ◆安置於浴室或洗衣間等

APPEARANCE FOR UFO FAN

The new idea urges us to adopt centrifugal impeller plus new design for outer housing to produce "UFO FAN". With exclusive design; light and sturdiness combined streamlined protecting net of casing permitting operation under huge pressure. The major thing that new "UFO FAN" breakthroughs traditional fan that can be installed in tube; tunnel or pipe for usage.

They can be installed anywhere such as: meeting room; man-made ceilings; conservator and office, furthermore it is quite easy for installation and disassembly.

FEATURES FOR UFO FAN

The UFO FAN adopts a high efficiency turbo centrifugal impeller with powerful motor drive directly. Through special designed guide plate enable air flow circulating smoothly, very quiet under operation. The UFO FAN is more suitable for small enclosed areas for ventilation such as: at home; in office; stores and all kinds of small enclosed areas. Ball bearing adopts standard model, motor adopts 110V or 220V/50/60 Hz. Thermal cut-off is included as standard. It can be mounted vertically or horizontally and connected duct at both sides. Cleaning maintenance or repair is quite easily. It can maintain strong air volume if duct up to 15m length.

CASING FOR UFO FAN

The housing is aesthetically pleasing, and structure combined with streamlined guide plate caused excellent performance for UFO FAN, the material for the casing is made of high strengthen iron and handled with durable coating

APPLICATION

Ventilation for divider; basement; warehouse and moisture.

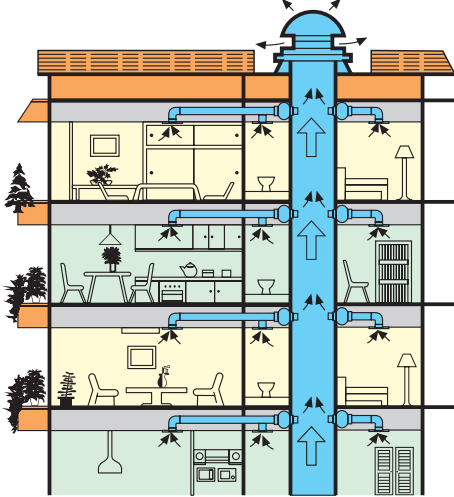
The UFO FAN can be mounted vertically or horizontally and also can be connected in front of duct or end of duct, or to be equipped in the middle of duct to compress wind.

- ◆ Install in Meeting Room or Office
- ◆ Install in Bath or Laundry Room

幽浮扇系列 UFO FAN SERIES

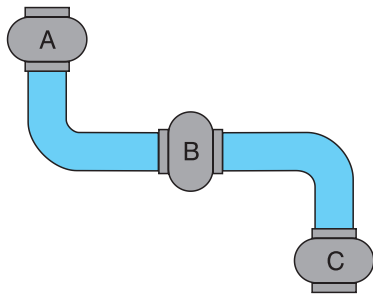
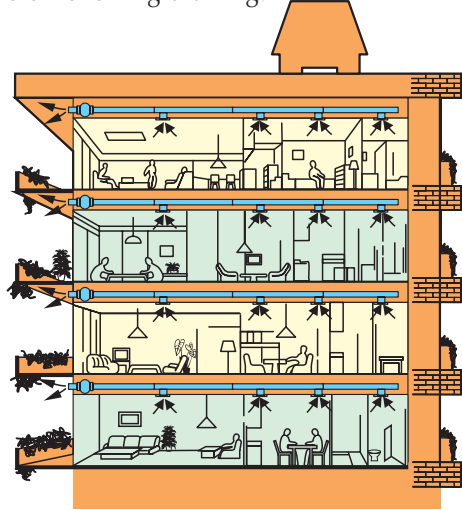
大樓內部採集中排氣管中之按裝圖例

The central exhausting duct of UFO-FAN is equipped in high building, please refer following drawing.



公寓、住宅之各別排氣按裝圖例

The exhausting duct is equipped in apartment house, please refer following drawing.

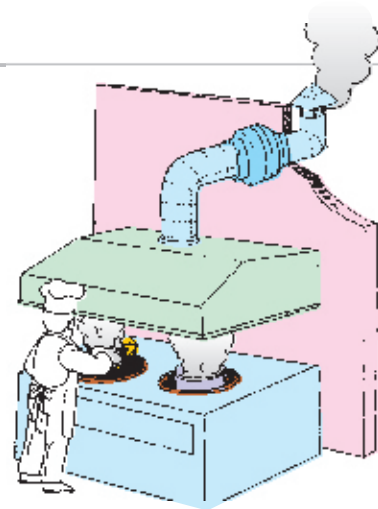
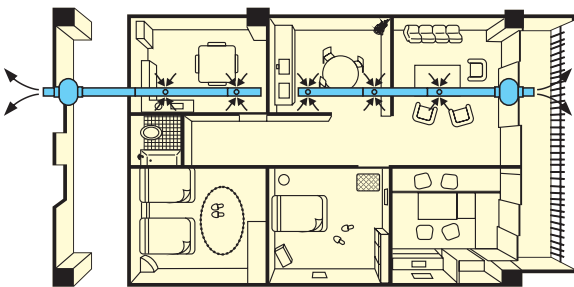


UFO FAN 幽浮扇可接裝於風管之前，後端或裝於風管之中段加壓。

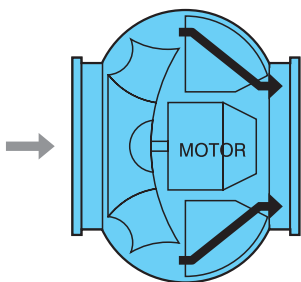
The UFO-FAN can be equipped in front of duct or in end of duct, or to be equipped in the middle of duct to compress wind.

室內抽排氣圖例

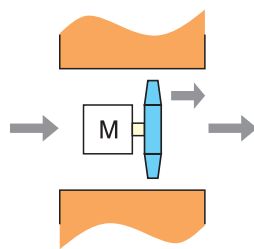
The exhausting duct is equipped in house, please refer following drawing.



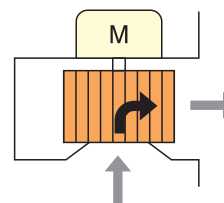
幽浮扇的空氣流動狀態
UFO FAN AIR FLOW



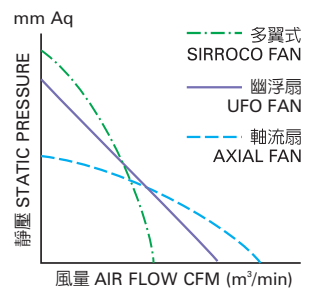
軸流扇
AXIAL FAN



多翼式送風扇
SIROCCO FAN

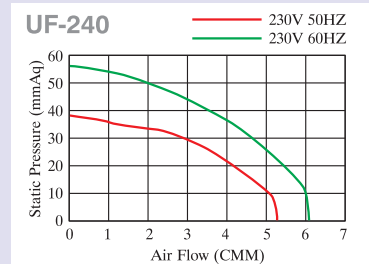
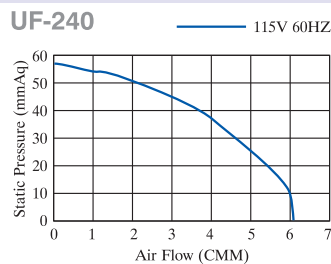
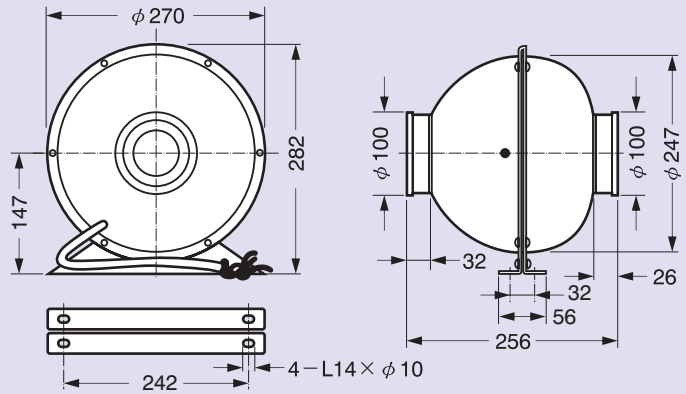


三種風機之風量、靜壓
比較表

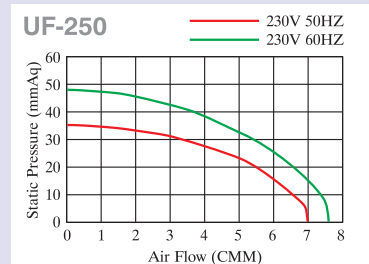
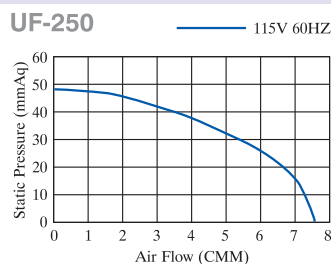
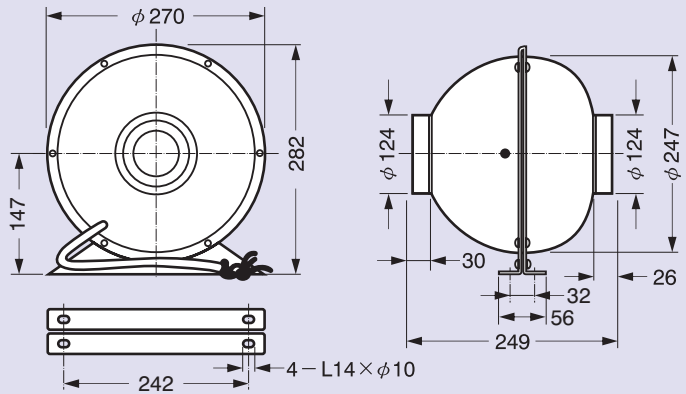


幽浮扇系列 UFO FAN SERIES

UF-240



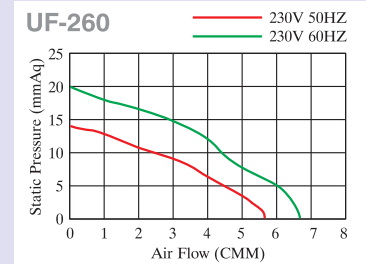
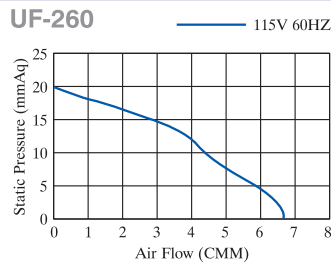
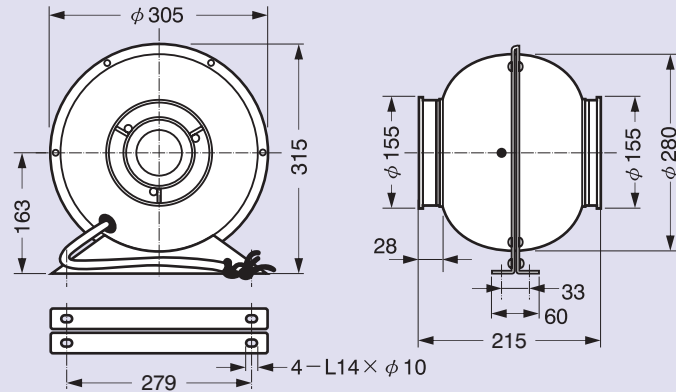
UF-250



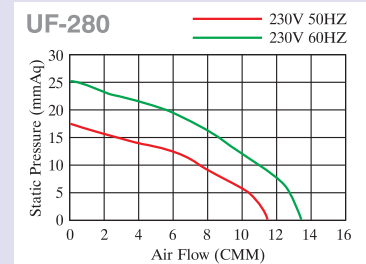
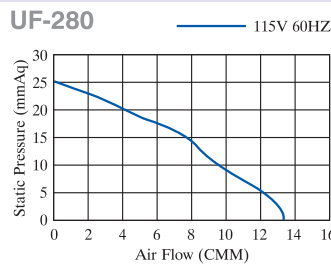
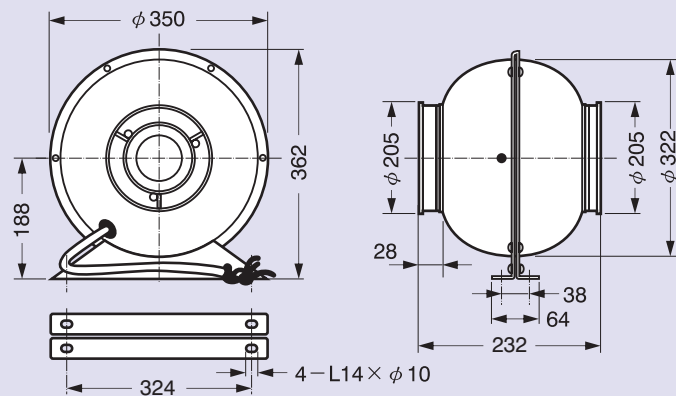
特性 型號	電壓 VOLTAGE V	頻率 FREQUENCY HZ	相數 PHASE φ	極數 POLES P	轉速 SPEED RPM	入力 INPUT POWER W	電流 CURRENT A	風量 AIR FLOW m ³ /min	靜壓 STATIC PRESSURE mm Aq	噪音 NOISE LEVEL dB (A)	重量 WEIGHT Kg
UF-240	115	60	1	2	3100	195	2.00	6.1	56	66	3.3
	230	50	1	2	2760	145	0.75	5.3	38	63	3.3
60		3100			200	1.00	6.1	66			
UF-250	115	60	1	2	2680	195	2.00	7.6	48	65	3.3
	230	50	1	2	2560	145	0.75	7.0	35	64	3.3
		60			2680	200	1.00	7.6	48	65	

幽浮扇系列 UFO FAN SERIES

UF-260



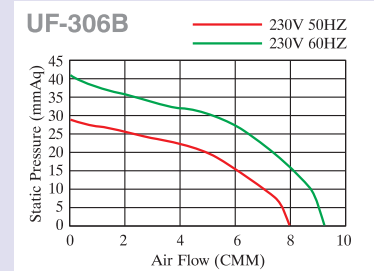
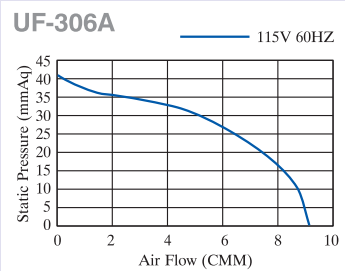
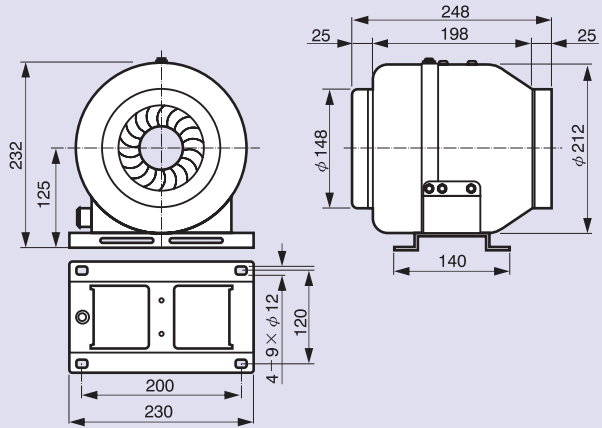
UF-280



特性 型號	電壓 VOLTAGE V	頻率 FREQUENCY HZ	相數 PHASE ϕ	極數 POLES P	轉速 SPEED RPM	入力 INPUT POWER W	電流 CURRENT A	風量 AIR FLOW m ³ /min	靜壓 STATIC PRESSURE mm Aq	噪音 NOISE LEVEL dB (A)	重量 WEIGHT Kg
UF-260	115	60	1	4	1630	80	0.90	6.7	20.0	59	3.8
	230	50	1	4	1400	75	0.50	5.7	14.0	56	3.8
60		1630			85	0.45	6.7	20.0	59		
UF-280	115	60	1	4	1580	170	1.80	13.5	25.5	64	4.3
	230	50	1	4	1370	155	1.00	11.5	17.5	61	4.3
		60			1580	180	0.90	13.5	25.5	64	

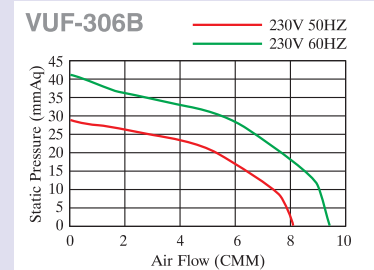
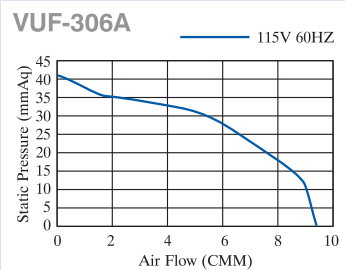
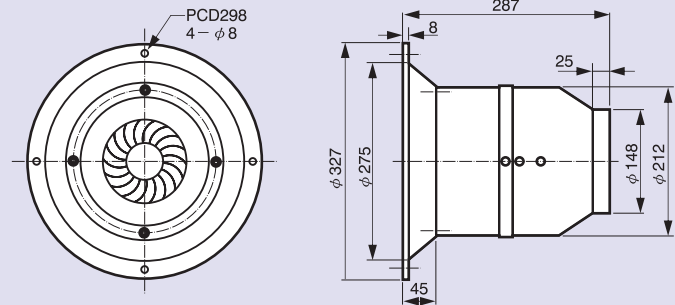
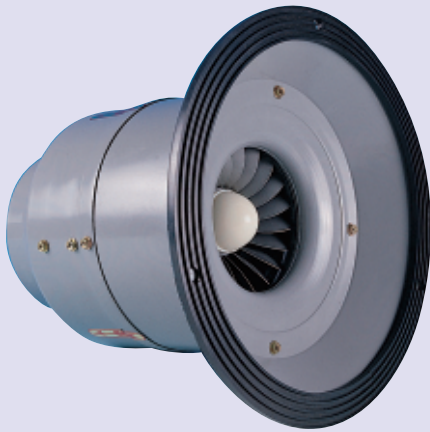
幽浮扇系列 UFO FAN SERIES

UF-306



直立式幽浮扇 VERTICAL UFO FAN

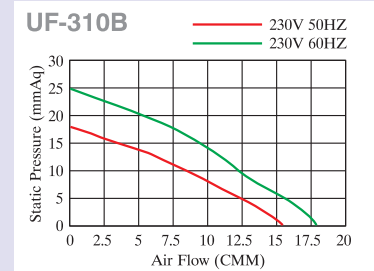
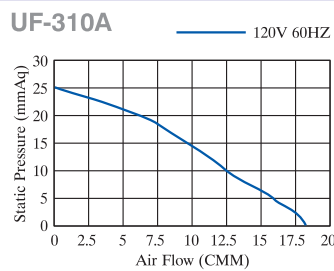
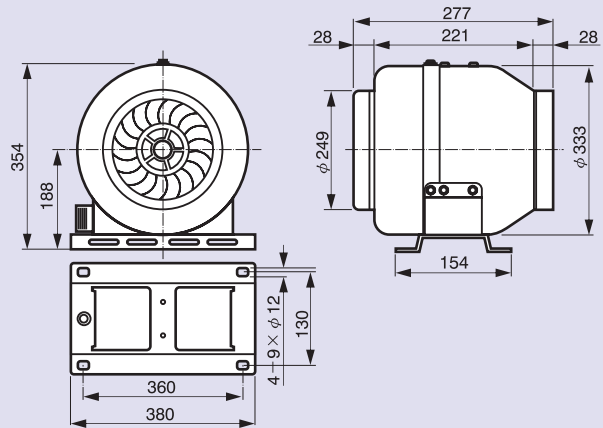
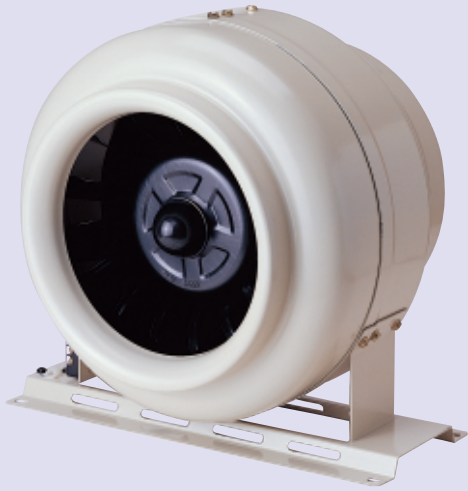
VUF-306



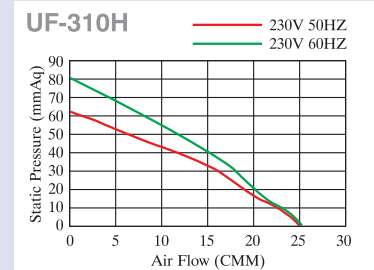
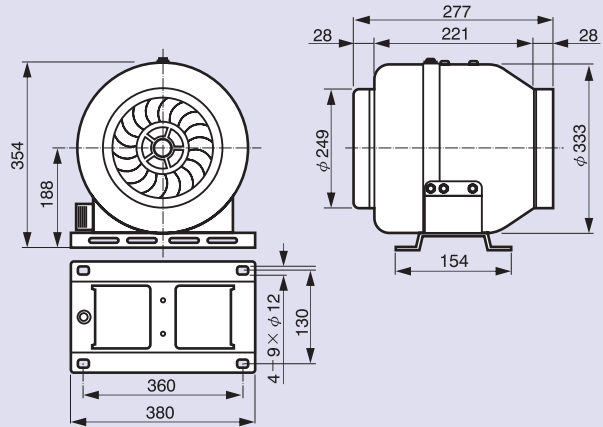
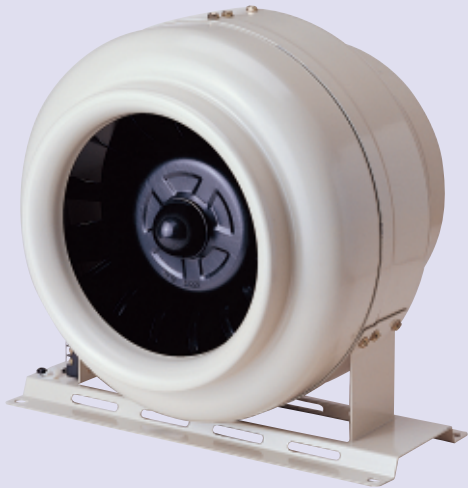
特性 型號	電壓 VOLTAGE V	頻率 FREQUENCY HZ	相數 PHASE φ	極數 POLES P	轉速 SPEED RPM	入力 INPUT POWER W	電流 CURRENT A	風量 AIR FLOW m ³ /min	靜壓 STATIC PRESSURE mm Aq	噪音 NOISE LEVEL dB (A)	重量 WEIGHT Kg
UF-306	115	60	1	2	3300	170	1.70	9.2	41	64.5	3.6
	230	50	1	2	2850	125	0.65	8.0	29	60.5	3.6
60		3300			170	0.85	9.2	41	64.5		
VUF-306	115	60	1	2	3320	170	1.70	9.4	41	65.5	4.0
	230	50	1	2	2860	125	0.65	8.1	29	61.5	
		60			3320	170	0.85	9.4	41	65.5	

幽浮扇系列 UFO FAN SERIES

UF-310



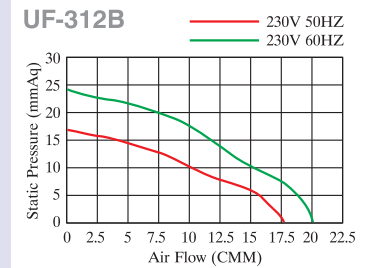
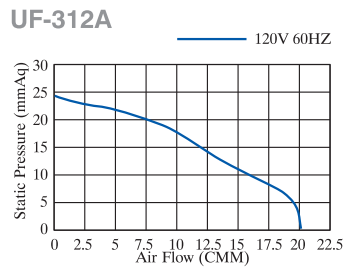
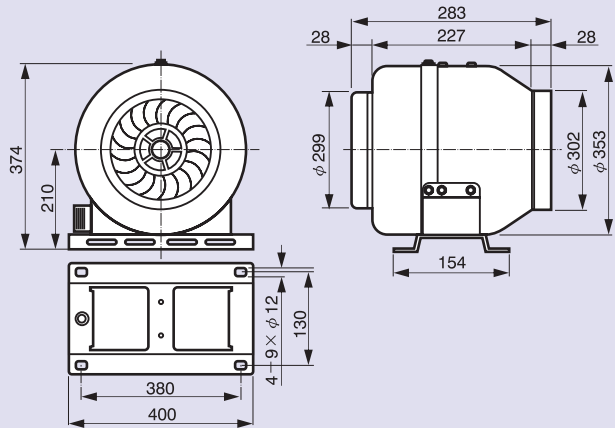
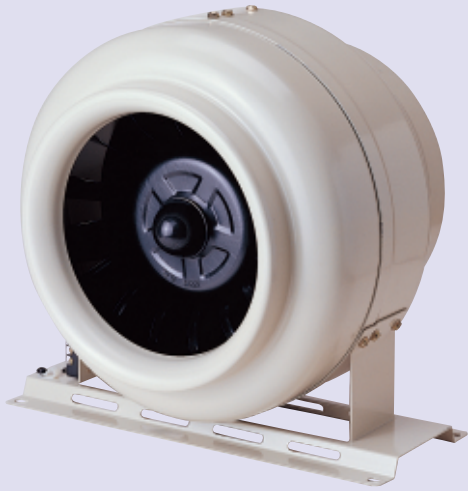
UF-310H



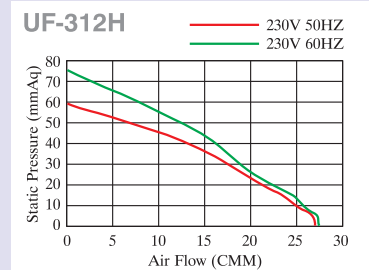
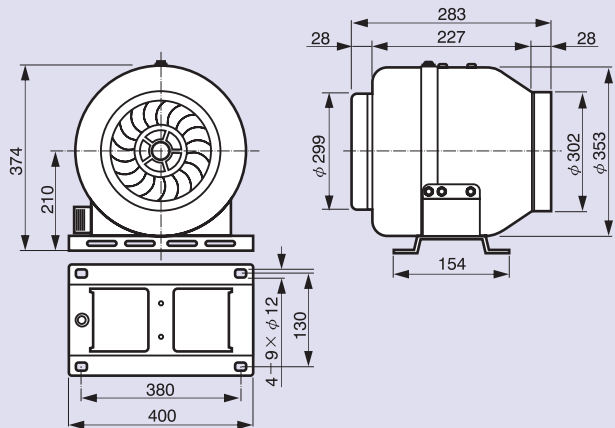
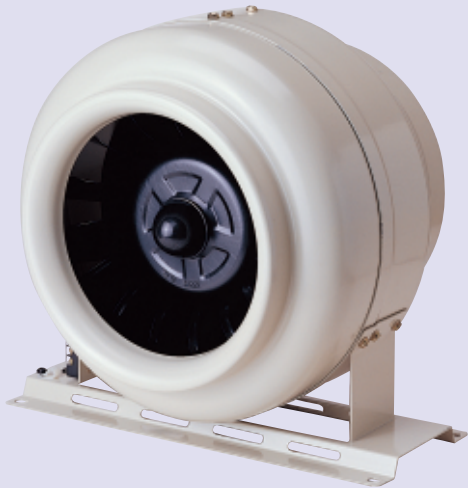
特性 型號	電壓 VOLTAGE V	頻率 FREQUENCY HZ	相數 PHASE φ	極數 POLES P	轉速 SPEED RPM	入力 INPUT POWER W	電流 CURRENT A	風量 AIR FLOW m ³ /min	靜壓 STATIC PRESSURE mm Aq	噪音 NOISE LEVEL dB (A)	重量 WEIGHT Kg
UF-310	115	60	1	4	1640	170	1.7	18.3	25	61.0	8.4
	230	50	1	4	1400	125	0.7	15.5	18	57.0	8.4
60		1630			165	0.8	18.0	25	60.0		
UF-310H	230	50	1	2	2050	385	2.0	25.0	62	67.4	12.8
		60			2060	470	2.6	25.3	80	67.6	

幽浮扇系列 UFO FAN SERIES

UF-312



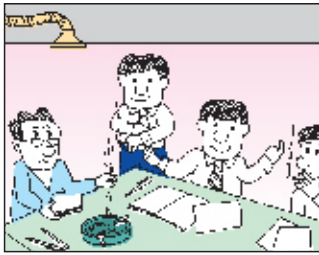
UF-312H



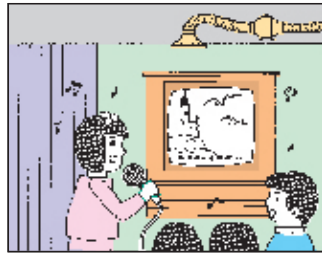
特性 型號	電壓 VOLTAGE V	頻率 FREQUENCY HZ	相數 PHASE φ	極數 POLES P	轉速 SPEED RPM	入力 INPUT POWER W	電流 CURRENT A	風量 AIR FLOW m ³ /min	靜壓 STATIC PRESSURE mm Aq	噪音 NOISE LEVEL dB (A)	重量 WEIGHT Kg
UF-312	115	60	1	4	1630	175	1.7	20.5	24	62.3	9.1
	230	50	1	4	1390	130	0.7	17.8	17	59.0	9.1
		60			1620	170	0.8	20.2	24	62.0	
UF-312H	230	50	1	2	2060	375	2.0	27.0	59	67.5	13.4
		60			2070	460	2.6	27.5	75	67.8	

子彈型抽送風機 BULLET SHAPE TUBING BLOWER

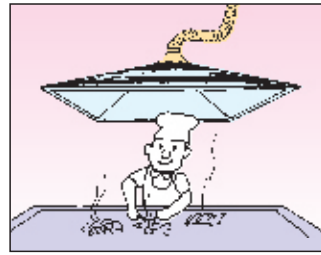
使用範例 APPLICABLE FIELDS



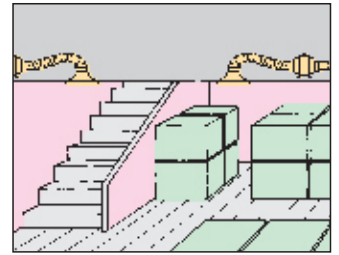
◆ 會議室
Meeting Room



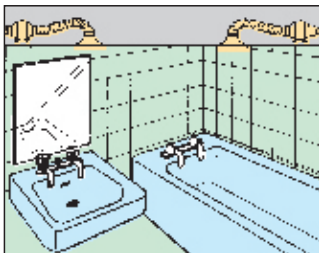
◆ 卡拉OK
VIP Room



◆ 廚房油煙抽送
Drafting Hot & Oily Air in Kitchen.



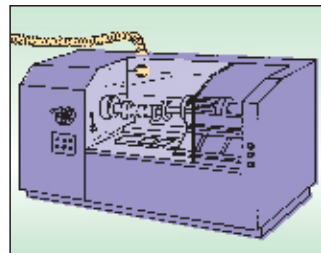
◆ 地下室換氣
Exchanging Fresh Air in Basement.



◆ 浴室廁所抽送風
Exhausting Air in Bathroom.



◆ 生產線抽廢氣
Drafting Harmful Gases During
Production Line.



◆ 工作母機排煙
Drafting Smoke Air During
Machinging.

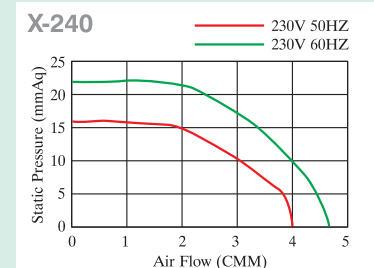
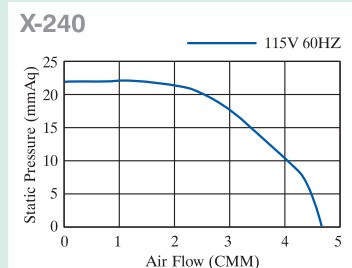
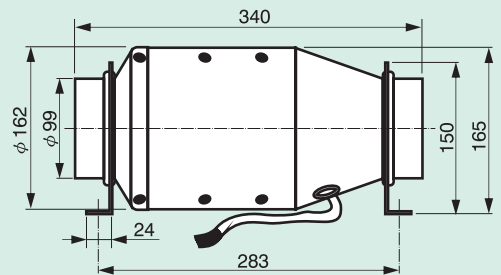
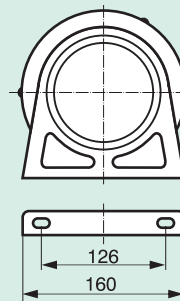


◆ 下水道施工抽廢氣
Circulating & Exchanging Fresh Air
in Sewerage.

X-240

* 噪音小、安裝容易。
Low Noise, Easy Installation.

* 通風、換氣、最佳利器。
The Most Efficiency Ventilation.



特性 型號	電壓 VOLTAGE V	頻率 FREQUENCY HZ	相數 PHASE φ	極數 POLES P	轉速 SPEED RPM	入力 INPUT POWER W	電流 CURRENT A	風量 AIR FLOW m ³ /min	靜壓 STATIC PRESSURE mm Aq	噪音 NOISE LEVEL dB (A)	重量 WEIGHT Kg
X-240	115	60	1	2	3200	75	0.75	4.7	22	60.5	3.0
	230	50	1	2	2800	60	0.35	4.0	16	56.5	
		60			3200	80	0.40	4.7	22	60.5	

TX系列手提管式抽送風機 IN-LINE TURBO FAN

外觀 APPEARANCE

本公司生產手提式風機JPV系列多年來，為了更進一步提供輕巧強力的小型機種，所以又研發出TX-240、TX-260手提管式抽送風機，它不僅有流線型的外殼，風量風壓亦不小，可貴的是噪音並不高，又有手把及腳架及高低速開關，所以TX型風機可說是一種突破傳統，可接PVC硬軟管及吸煙罩的多用途易安裝的抽送風機。

JOUNING CO., has been manufacturing JPV types of portable ventilator for years, for further service our customers with more light weight and portable type of tiny ventilator. We have developed new TX-240, TX-260 in-line turbo fan which has update fashion casing, high static pressure with high flow rate and low noise, more features such as handle bar, chassis, high/low speed switch. Its multi-functions can also connect hard or soft PVC ducts or smoke nose. TX-240, TX-260 indeed breakthrough the tradition and bring you more efficiency in work.

功能 FEATURES

TX型係採用最先進的渦輪離心式葉輪，並以強力馬達直接傳動，經過特殊設計的外殼及導風板，使氣流順暢，運轉時非常安靜，同時又能提供強大的風量及風壓；因此TX型風機非常適合在小空間（如地下室、工作房、暗房）或是電子工廠生產線上，抽除焊煙、廢氣用，若反裝則可以提供新鮮空氣進入所需的地方。

TX type adopt turbo radial tip wheel with powerful motor drive directly. It has special designed casing and guide plate (motor bracket) enable a smooth ventilation, quiet in operation. The high volume air flow and static pressure make TX type of fan is more suitable for small enclosed areas (such as: basement, workshop and photo room) or production line of electrical factory, ventilation for the smoking of tin soldering, if you install fan in opposite way it can provide fresh air into requiring areas.

馬達 MOTOR

TX型馬達所採用的馬達為電容器運轉型，並用高級滾珠培林，可保持長時間運轉，電壓共有110V、220V、240V 50/60Hz等多種可依客戶的需求而訂製。

TX type adopts capacitor circularized type of motor with high class ball bearing to have long lasting operation life.

INPUT: 110V/220V/240V 50/60Hz (by areas).

配件 SPARE PARTS

本風機同時提供多種大小接頭及吸煙罩，客戶可依現場所需，裝配2½", 3", 4", 6", 8"的風管，以及6", 8"的吸煙罩，按裝換用簡單方便。

Various sizes of adaptors and smoke nose are supplied according to customers requirement, for connecting 2½", 3", 4", 6", 8" ducts and 6", 8" smoke noses, above.

Spare parts will enable you for easily installing in any where.



TX-260

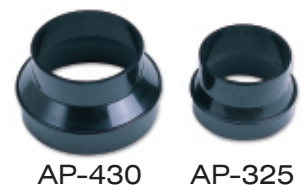


TX-240



SE-480

SE-360



AP-430

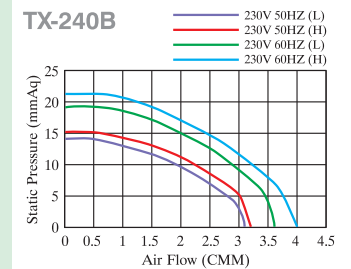
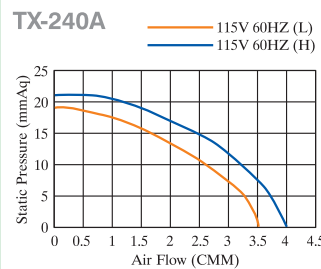
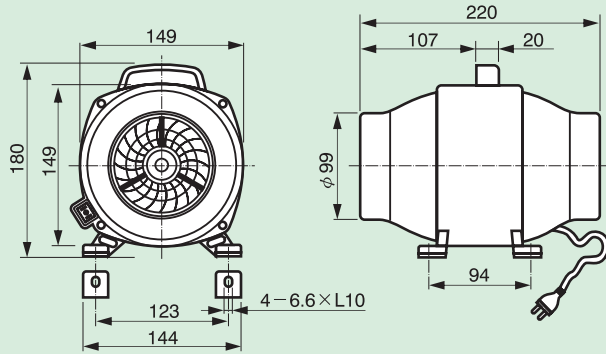
AP-325



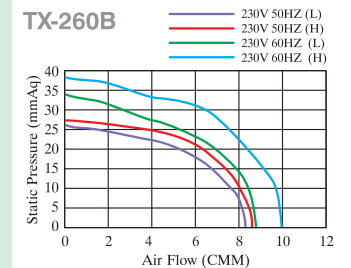
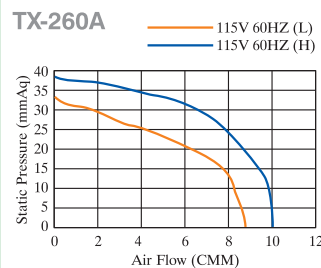
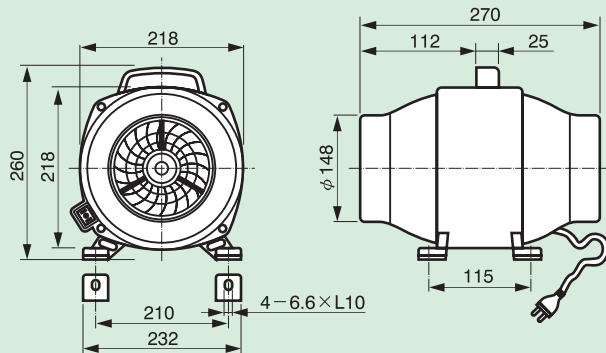
焊錫煙吸除、快又簡單!!
地下室、入孔、通風最佳利器!!

TX系列手提管式抽送風機 IN-LINE TURBO FAN

TX-240



TX-260

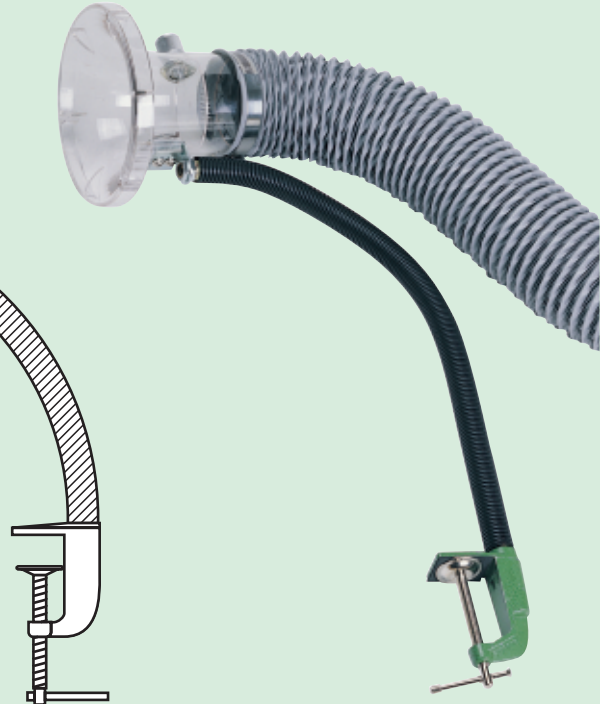
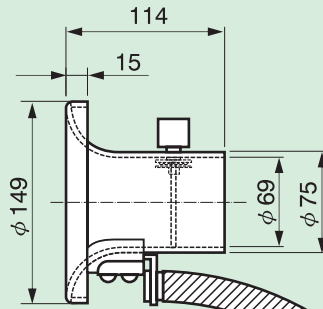
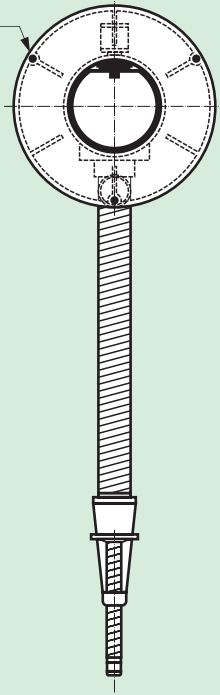


特性 型號	電壓 VOLTAGE V	頻率 FREQUENCY HZ	相數 PHASE φ	極數 POLES P	轉速 SPEED RPM	入力 INPUT POWER W	電流 CURRENT A	風量 AIR FLOW m ³ /min	靜壓 STATIC PRESSURE mm Aq	噪音 NOISE LEVEL dB (A)	重量 WEIGHT Kg
TX-240A	115	60	1	2	2860 (L)	40	0.38	3.5	19	54.5	1.7
					3380 (H)	55	0.54	4.0	21	58.5	
TX-240B	230	50	1	2	2700 (L)	35	0.17	3.1	14	53.5	1.7
		60			3020 (L)	40	0.19	3.6	19	55.5	
	230	50	1	2	2880 (H)	52	0.32	3.2	15	54.5	1.7
		60			3380 (H)	55	0.27	4.0	21	58.5	
TX-260A	115	60	1	2	2780 (L)	155	1.50	8.7	33	65.5	3.7
					3340 (H)	163	1.60	10.0	38	69.0	
TX-260B	230	50	1	2	2750 (L)	105	0.52	8.3	26	65.2	3.7
		60			2950 (L)	155	0.75	8.8	34	66.2	
	230	50	1	2	2870 (H)	120	0.62	8.6	27	66.0	3.7
		60			3330 (H)	163	0.80	10.0	38	69.0	

吸煙罩 SMOKE EXHAUST

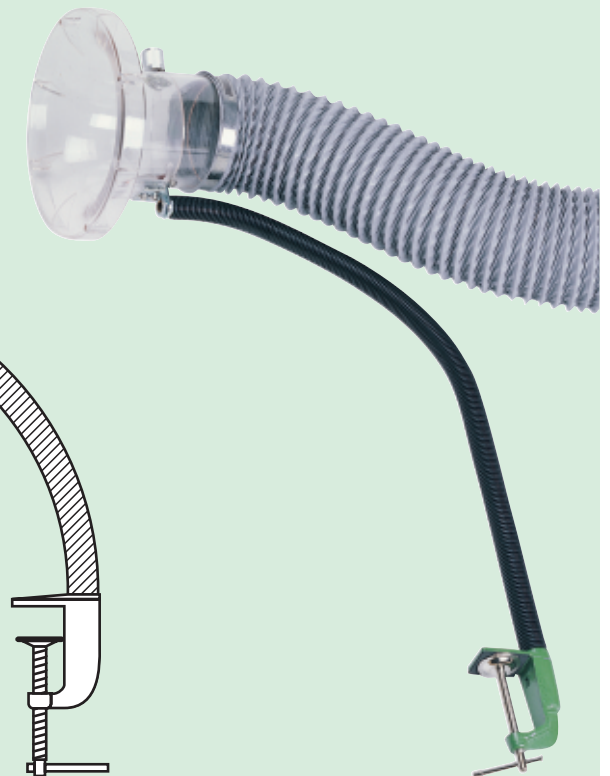
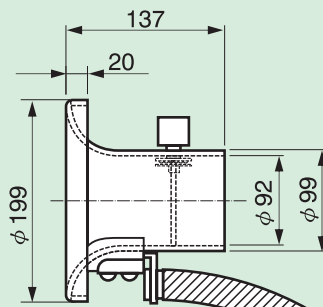
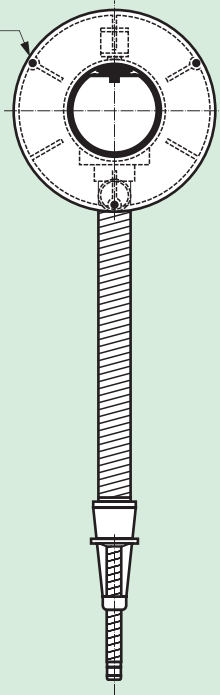
SE-360

PCD140
3- ϕ 4.1



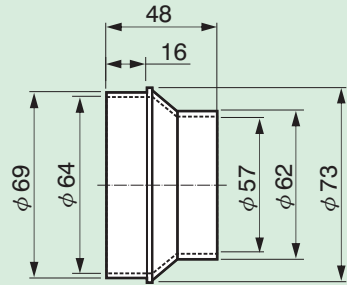
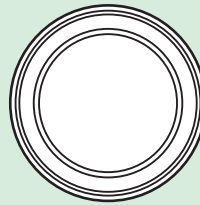
SE-480

PCD190
3- ϕ 4.1

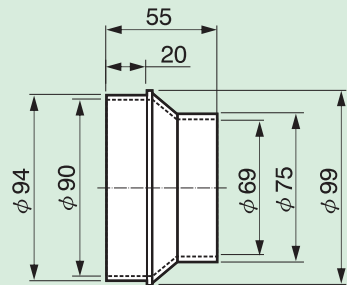
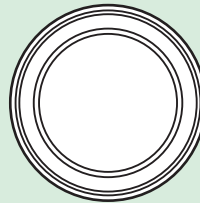


管接頭 ADAPTER

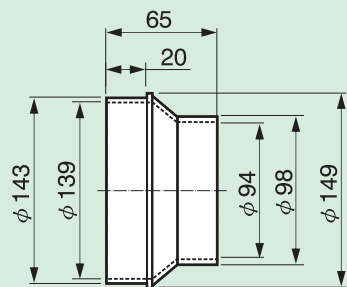
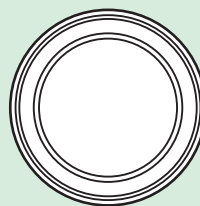
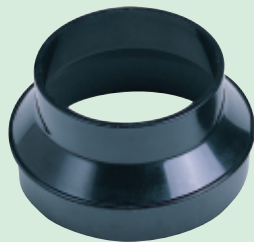
AP-325



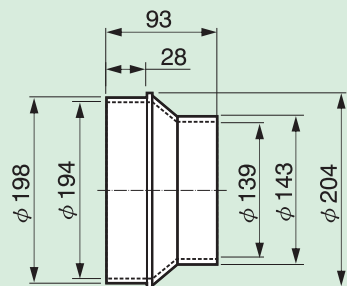
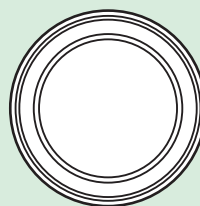
AP-430



AP-640



AP-860



JPV 手提式伸縮軟管系列 PORTABLE VENTILATOR

特性：本機採用東元/大同 E 級馬達，絕緣良好、風量大、風力足。

用途：坑道、地下室、船艙、送風用。標準風管長度5M，風管可接受訂製1~20M。

FEATURE: Large capacity motor with E-class of TECO/TATUNG brand motor, long endurance. Specially designed axial propeller, high static pressure, high flow rate, excellent strength.

USAGES: Ventilation for mine, underground, drainage workshop, gas exhaust, dust blowing, fresh air. Flexible duct with standard length 5M. Duct can be order from 1M~20M.



JPV-200
JPV-250
JPV-300

PX-200
PX-250
PX-300
PX-400

JPV-200SS
JPV-300SS

JAF 軸流式抽送風機 AXIAL FLOW FAN

特性：風量大、風力足，有直結式及皮帶傳動式兩種，按裝容易。

用途：礦坑、船艙、紡織廠及大飯店廚房抽排風，效果最佳。

FEATURE: Either direct drive or belt-drive, finely constructed. High flow rate, Easy to install.

USAGES: Ventilation for mine, room, hotel kitchens, warehouse, marines, dustblowing, chimney enforced drafting, textile wetting.



JAF-DA

JAF-DS

JAF-BS

JAF-BA

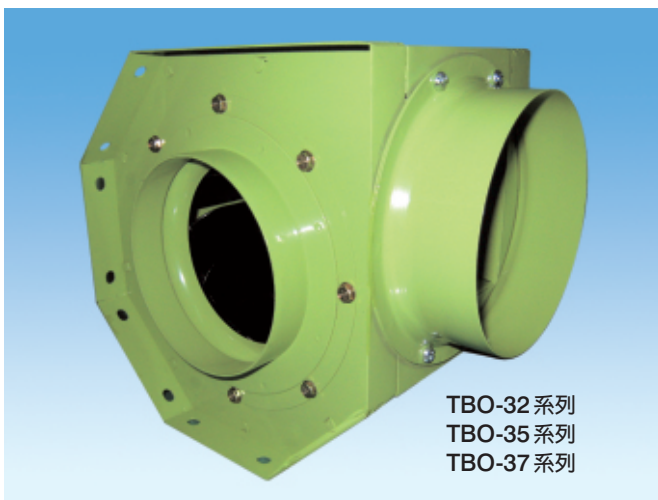
JAF 軸流扇 AXIAL FLOW FAN



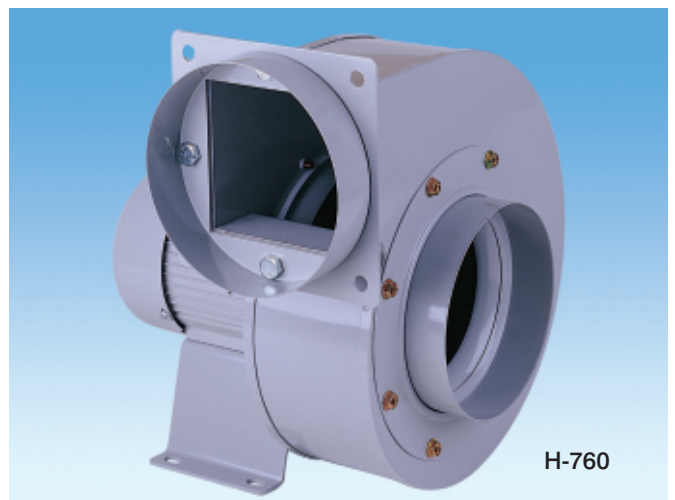
JSD 多翼式風機 SIROCCO FAN



TB 馬力強抽送風機 SEVEN TURBO FAN



K&H 利可多抽送風機 RICOTO FAN



MX 噴流式空氣輸送器 JETFLOW AIR MOVER

1. 出風口最高風速可達每秒 40 米，重量輕又耐用，不易生鏽。

2. 採用鋁合金噴氣座及不銹鋼風管。

3. 具有防爆之功能，可安心使用，在有易燃氣體及易塵爆之場所，本機無馬達、扇葉、電器開關引爆之顧慮。

4. 操作簡單，無故障，風量可隨意調整。

1. Maximum capacity output suction reaches 40M/sec, durable, light weight and rust free designs.

2. Alum. alloy nozzle base and stainless duct.

3. Explosion proof device that you can rely on. There is no risk of explosions and inflammable fume on motor, blades or electric switch in the explosive fields.

4. Easy operation. Defective free and adjustable air low.



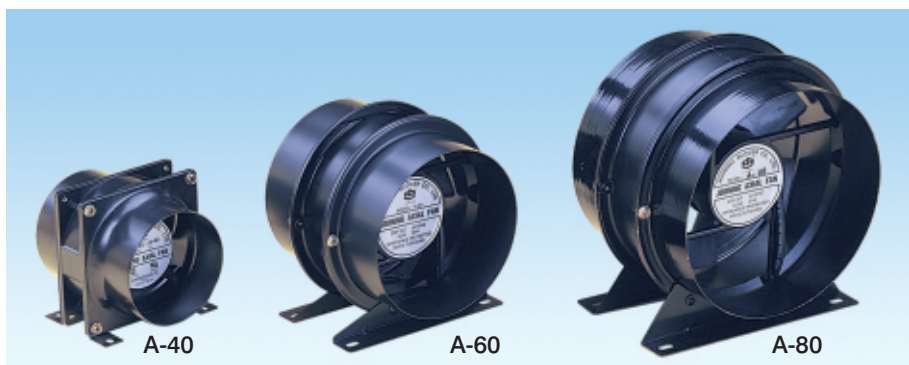
JSB 皮帶式傳動 BELT DRIVER



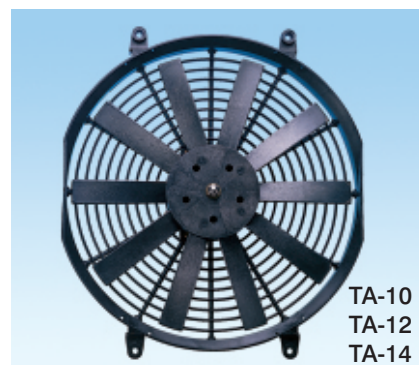
RT 透浦直結式抽送風機 RADIO TIP FAN



A 迷你軸流扇系列 IN-LINE AXIAL FAN



TA 超薄軸流扇 AXIAL FLOW FAN



JM 巨無霸型長距離送風機 JUMBO FAN

JM-624N
JM-734N

JM-4502 (2P)

JM-624
JM-734

JM-12

JM-16

適用於：造船廠、焊接時排煙、散熱、煉鋼、壓鑄廠、延壓冷卻用、大型工地、隧道施工、地下室通風。
USAGES: Vessel workshops; get rid of smoking and heat during electric soldering. Steel mill and casting factory; cooling purpose on extension pressure. The big workshop, tunnel and basement ventilation.

JC 橫流扇 CROSS FLOW FAN

適用於電梯車廂換氣、變壓器冷卻，電暖器送風及其他用途。

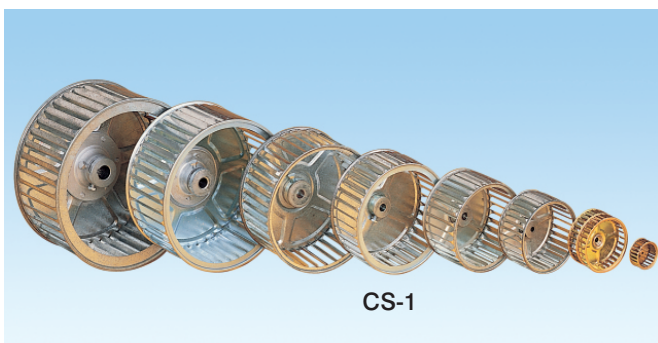
Usages: Elevator exhaust fan, transformer cooling fan, heater blowing fan & others.

S.P: 3~15 mm/Aq, Capacity: 3~30 CMM

JCL-30077E
JCL-3010E
JCL-3015E
JCL-3020E
JCL-3025E
JCL-3030E



CS 多翼式風輪 SIROCCO FAN WHEEL



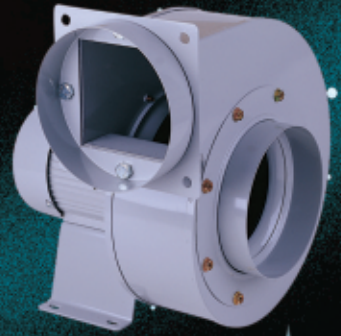
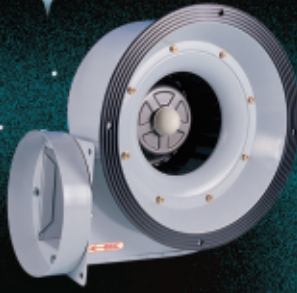
鍍鋅鐵皮、鋁、不銹鋼等材質。

DIA: From 2"~12"

MATERIAL: Steel plate, Aluminum, Stainless steel.

CF 浴廁通風機 CENTRIFUGAL EXHAUST FAN





AGENT:



JOUNING



JOEY

中一五金股份有限公司

<http://www.jouning-blower.com>

台北公司：台北市重慶北路二段136號

TEL: (02) 2550-5338 FAX: (02) 2550-1352

E-mail: jouning.blower@msa.hinet.net

土城工廠：新北市土城區大同街21號

TEL: (02) 2268-2527 FAX: (02) 2268-7272

E-mail: tumbo@ms48.hinet.net

中翼機電股份有限公司

TEL: (03) 453-2919 FAX: (03) 453-3130

國 外 部 門

TEL: (02) 2268-3215 FAX: (02) 2268-3219

東禾祥開發股份有限公司

台北市重慶北路二段136號

TEL: (02) 2550-5338 FAX: (02) 2550-1352